



GUVA-T11GD



TECHNICAL DATA

UV-A Sensor

Features

- Gallium Nitride Based Material
- Schottky-type Photodiode
- Photovoltaic Mode Operation
- Good Visible Blindness
- High Responsivity & Low Dark Current

Applications

- Full UV Band Monitoring
- UV-A Lamp Monitoring
- Sterilization Lamp Monitoring

Absolute Maximum Ratings

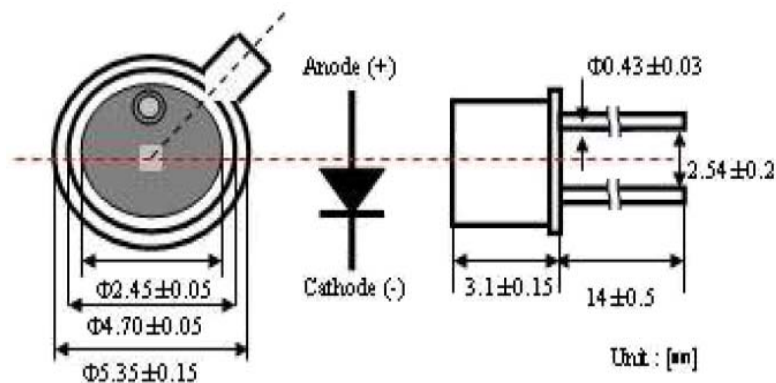
Item	Symbol	Value	Unit
Forward Current	I_F	1	mA
Reverse Voltage	V_R	5	V
Operating Temperature	T_{op}	-30 ... +85	°C
Storage Temperature	T_{st}	-40 ... +90	°C
Soldering Temperature *	T_{sol}	260	°C

* must be completed within 10 seconds

Characteristics (25°C)

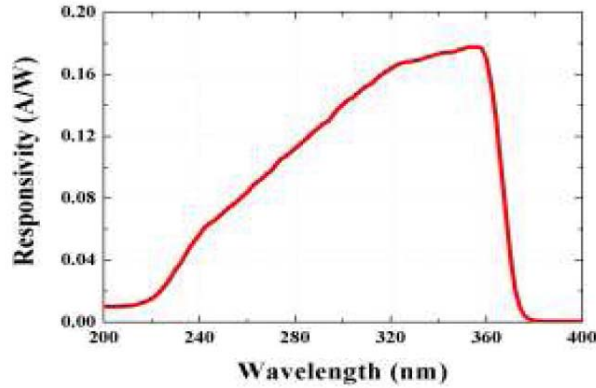
Item	Symbol	Test Conditions	Min.	Typ.	Max.	Unit
Dark Current	I_D	$V_R = 0.1 \text{ V}$	-	-	1	nA
Photo Current	I_{PD}	UVA Lamp, 1 mW/cm ²	-	160	-	nA
		UVC Lamp, 1 mW/cm ²	-	93	-	nA
Temperature Coefficient	I_{TC}	UVA Lamp	-	0.05	-	% / °C
Responsivity	R	$\lambda = 350 \text{ nm}, V_R = 0 \text{ V}$	-	0.18	-	A/W
Spectral Detection Range	λ	10% of R	220	-	370	nm

Package Dimension

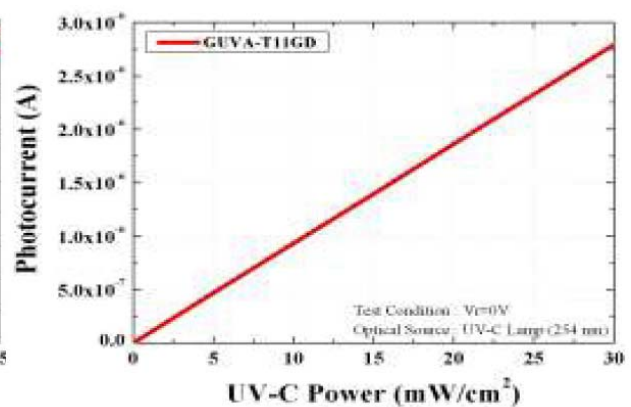
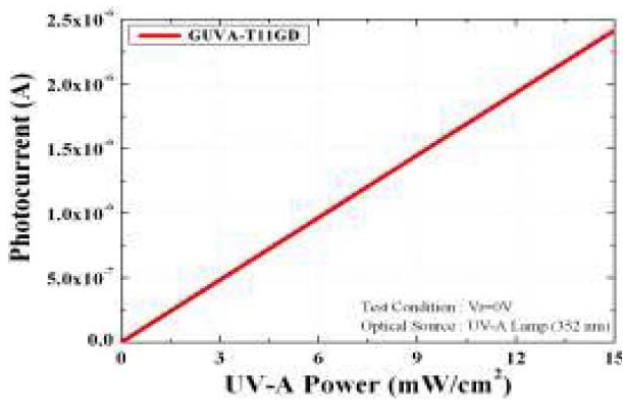




Responsivity Curve

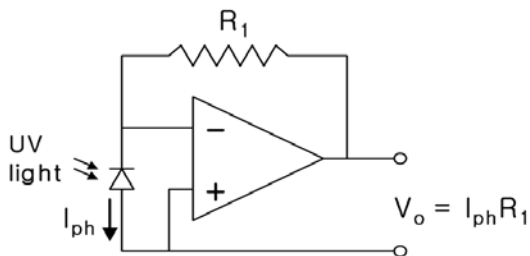


Photocurrent along UV Power



Application Circuit Exemple

1. Basic Feedback Ammeter



2. Feedback Ammeter with Selective Voltage Gain

