



# ROITHNER LASERTECHNIK GmbH

WIEDNER HAUPTSTRASSE 76  
TEL. +43 1 586 52 43 -O. FAX. -44

1040 VIENNA

AUSTRIA

OFFICE@ROITHNER-LASER.COM



## LED-MULTI-F

- Fiber pigtailed Multi LED Light Engine
- 375 - 1050 nm
- 1 m Light Guide
- CE certified
- 1 Year warranty



## Description

**LED-MULTI-F** is a **multi-wavelength** fiber pigtailed LED light engine, emitting at up to 12 different wavelengths from a range of 18 available wavelengths from 375 nm up to 1050 nm, via a fully articulated **1m light guide (fiber bundle)**, utilizing a 600 µm core diameter fiber for each wavelength. Each wavelength can be operated independently and output power set 0-100% with LCD display readout. **LED-MULTI-F** is RoHS compliant, CE certified, and comes with a **1 Year warranty**. Customization for up to 12 wavelengths is available on request

## Specification

	UV	UV	Violet	Violet	Blue	Blue	Cyan	Green	Lime	
<b>Wavelength*<sup>1</sup></b>	<b>375</b>	<b>395</b>	<b>405</b>	<b>430</b>	<b>460</b>	<b>470</b>	<b>500</b>	<b>530</b>	<b>565</b>	<b>nm</b>
Bandwidth (FWHM)	12	10	12	17	18	25	37	35	105	nm
<b>Output Power</b>	<b>10</b>	<b>2</b>	<b>8</b>	<b>1.5</b>	<b>8</b>	<b>8</b>	<b>3</b>	<b>5</b>	<b>5</b>	<b>mW</b>
Max. Current	1400	500	1400	500	1000	1000	1000	1000	1000	mA
Forward Voltage	3.6	4.5	3.5	3.8	3.6	3.2	3.3	3.2	3.1	V
Lifetime	~10 k	~10 k	~10 k	~10 k	~10 k	~10 k	~10 k	~10 k	~10 k	h

	Amber	Red	Red	Red	IR	IR	IR	IR	IR	
<b>Wavelength</b>	<b>600</b>	<b>620</b>	<b>625</b>	<b>660</b>	<b>730</b>	<b>850</b>	<b>880</b>	<b>940</b>	<b>1050</b>	<b>nm</b>
Bandwidth (FWHM)	64	18	17	20	42	30	50	37	38	nm
<b>Output Power</b>	<b>3</b>	<b>6</b>	<b>5</b>	<b>5</b>	<b>5</b>	<b>8</b>	<b>1</b>	<b>4</b>	<b>4</b>	<b>mW</b>
Max. Current	1000	1000	1000	1200	1000	1500	1000	1000	1000	mA
Forward Voltage	2.6	2.2	2.2	2.6	2.3	3.9	1.7	2.8	1.4	V
Lifetime	~10 k	~10 k	~10 k	~10 k	~10 k	~10 k	~10 k	~10 k	~10 k	h

Fiber	Type	Fiber Bundle								
	Core	600* <sup>2</sup>								µm
	N.A.	0.22								
	Length	1								m
Modulation	TTL or Analog, up to 1 kHz* <sup>3</sup>									
Power stability	< 5, <3* <sup>3</sup>									%
Operating Temp.	10-35									°C
Cooling	Air									
Input Voltage* <sup>4</sup>	12									VDC

\*<sup>1</sup> Wavelength information only for reference. Actual emission wavelength of a LED may change with temperature and current

\*<sup>2</sup> 400, 800, or 1000 µm core diameter available on request

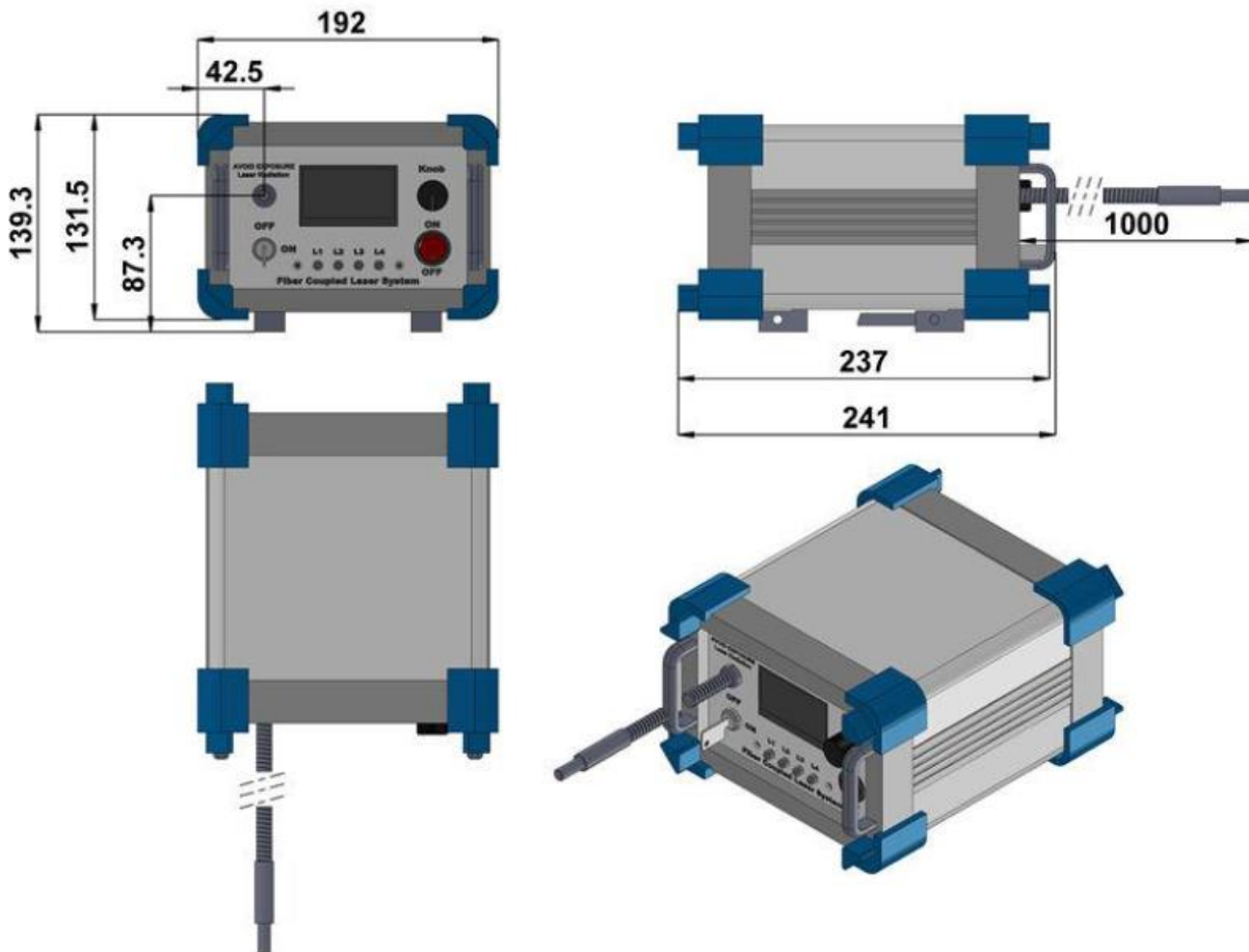
\*<sup>3</sup> optionally available

\*<sup>4</sup> 100-240VAC adapter included



## Outline Dimensions

### LED-MULTI-F



192 x 241 x 139 mm<sup>3</sup>

## General Notes

- The air ducts must not be blocked, and are required to have at least 5-10cm of free space for unobstructed airflow.

