



RGL-550-9C

- Double Glass Lens Laser Diode Collimator
- $f = 5.5 \text{ mm}$, $N.A = 0.45$
- ARC 400-700 nm
- Threaded design



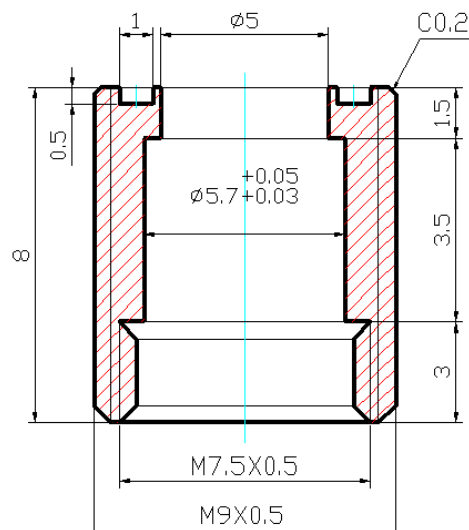
Description

RGL-550-9G is a double glass lens laser diode collimator, featuring a brass housing with a M9x0.5 fine pitched thread. The accommodated glass lens has a **short focal length** of only **5.5 mm** and comes with a broad **anti reflection coating (400-700 nm)**, making it ideally suitable for blue, green, and red laser diodes. **RGL-550-9C** can be used in conjunction with our **LDMT** series of laser diode mounting tubes (see page 2).

Specification

Parameter	Values	Unit
Focal Length	5.5	mm
Numerical Aperture	0.45	
Anti-Reflection Coating	400 - 700	nm
Thread	M9 x 0.5	mm
Dimensions	Ø9 x 8.0	mm
Material body	brass, black burnished	
Material lens	glass	

Outline Dimensions



All dimensions in mm



Accessories

LDMT Laser Diode Mounting Tube



- Available for 5.6 mm and 9.0 mm laser diodes
- Inside thread M9x0.5
- AlCuBiPb F37, black anodized
- Compatible with RGL laser diode collimators

© All Rights Reserved

The above specifications are for reference purpose only and subjected to change without prior notice