



## RLT980-150GS

- Infrared Laser Diode
- 980 nm, 150 mW
- Single mode



### Description

**RLT980-150GS** is a infrared laser diode, based on InGaN quantum structures, typically emitting at 980 nm. It features single mode emission, and is TE polarized. **RLT980-150GS** comes in 9 mm TO-Can package with **integrated PD**.

### Maximum Rating\* (T<sub>CASE</sub> = 25°C)

Parameter	Symbol	Values		Unit
		Min.	Max.	
Optical Output Power*1	$P_{MAX}$		150	mW
Operating Temperature*2	$T_{OPR}$	- 20	+ 50	°C
Storage Temperature	$T_{STG}$	- 40	+ 80	°C
Soldering Temperature (max. 5s)	$T_{SOL}$		+ 250	°C

\*1 kink-free power, operating above may irreversibly damage the device

\*2 operating outside these conditions may damage the device



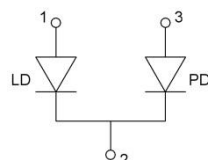
### Electro-Optical Characteristics (T<sub>CASE</sub> = 25°C)

Parameter	Symbol	Values			Unit
		Min.	Typ.	Max.	
Peak Wavelength	$\lambda_P$	975	980	985	nm
Optical Output Power	$P_O$		150		mW
Spectral Width (FWHM)	$\Delta\lambda$		2.0		nm
Operating Voltage	$V_F$		1.5	1.8	V
Threshold Current	$I_{th}$		30		mA
Operating Current	$I_F$		200		mA
Slope Efficiency	$CW$	0.70	0.9		W/A
Lifetime		10000			h
Beam Divergence (FWHM)	parallel	$\theta_{  }$	8	10	deg.
	perpendicular	$\theta_{\perp}$	30	35	deg.

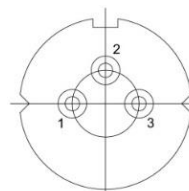
### Electrical Connection

#### Pin Configuration

Pin #	Function
Pin 1	LD Anode
Pin 2	LD Cathode, PD Cathode
Pin 3	PD Anode

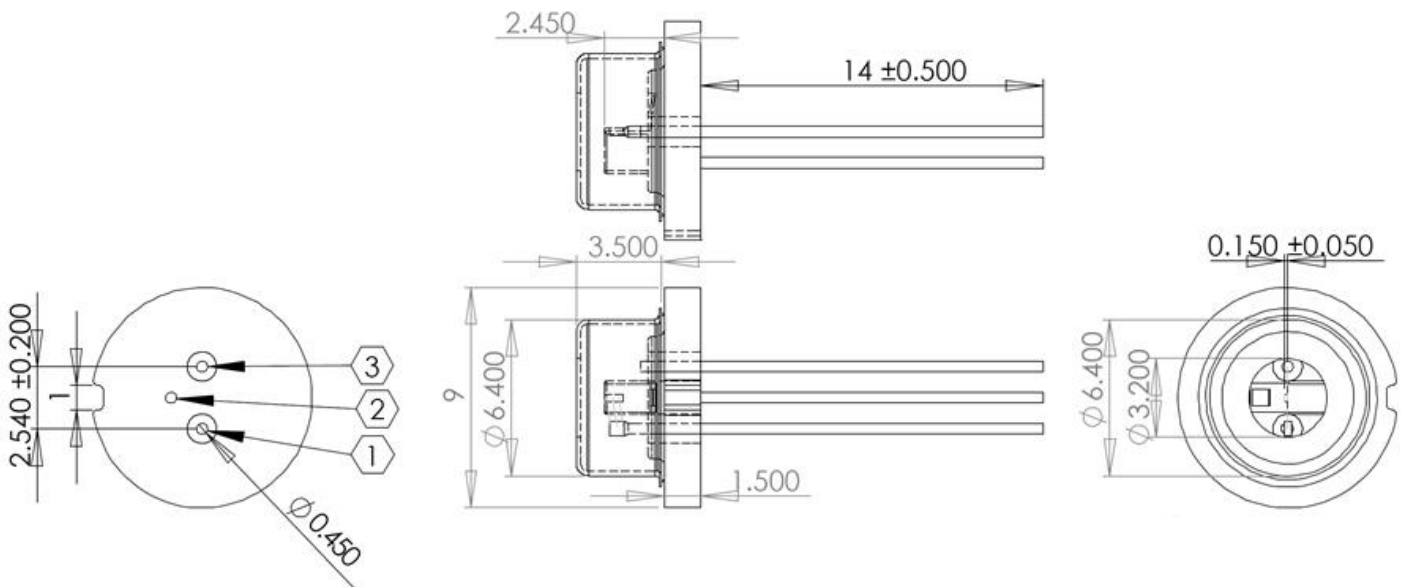


#### Bottom View





## Outline Dimensions



All dimensions in mm

## Precautions

### Safety

**Warning: Invisible laser radiation is emitted from this device !!!**

**Caution:** Laser light emitted from any laser diode may be **harmful to the human eye**. Avoid looking directly into the laser diode's aperture when the diode is in operation.

**Note:** The use of optical lenses with this laser diode will increase eye hazard



### ESD caution

Always do handle laser diodes with extreme care to **prevent electrostatic discharge**, the primary cause of unexpected diode failure. To prevent ESD related failures, it is strongly advised to always **wearing wrist straps**, and **grounding all applicable work surfaces**, when handling laser diodes

### Operating Considerations

It is strongly advised to only operate this laser diode with a current source. The current of a laser diode is an exponential function of the voltage across it. **Usage of current regulated drive circuits is mandatory**. Laser diodes may be damaged by excessive drive currents or switching transients

It is advised, to operate the laser diode at the lowest temperature possible, and to never exceed maximum specifications as outlined in the datasheet. Device degradation will accelerate with increased temperature. **Proper heat sinking will greatly enhance stability and life time of the laser diode**