



RLT830-1WG-PD

- Infrared Laser Diode
- 830 nm, 1000 mW
- Multi Transverse Mode
- TO9 package
- Integrated Monitor PD



Description

RLT830-1WG-PD is a infrared high power CW laser diode, typically emitting at 830 nm. It features multi transverse mode emission and a maximum operating temperature of 40°C. **RLT830-1WG-PD** comes in 9 mm TO-CAN package with integrated monitor photodiode, and has been designed for industrial application like e.g. medical laser treatment. A fast axis collimator (FAC) is optionally available

Maximum Rating* ($T_{CASE} = 25^{\circ}C$)

Parameter	Symbol	Values		Unit
		Min.	Max.	
Reverse Voltage	V_R		2	V
Operating Temperature*	T_{OPR}	0	+ 40	°C
Storage Temperature*	T_{STG}	- 40	+ 85	°C
Soldering Temperature (max. 3s)	T_{SOL}		+ 260	°C

* operating close to or outside these conditions may damage the device

Electro-Optical Characteristics ($T_{CASE} = 25^{\circ}C$)

Parameter	Symbol	Values			Unit
		Min.	Typ.	Max.	
Peak Wavelength	λ_P	825	830	840	nm
Spectral Width (FWHM)	$\Delta\lambda$		2.5		nm
Optical Output Power	P_O		1		W
Recommended Operating Temperature	T_{OPR}		25		°C
Operating Voltage	V_F		2.5		V
Threshold Current	I_{th}		0.2		A
Operating Current	I_F		1.3		A
Temperature Coefficient			0.30		nm/K
Slope Efficiency	η		1.0		W/A
Beam Divergence (FWHM)	parallel	$\Theta_{ }$	10	12	deg.
	perpendicular	Θ_{\perp}	38	40	deg.

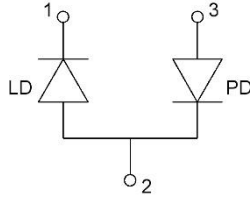




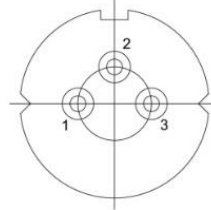
Electrical Connection

Pin Configuration

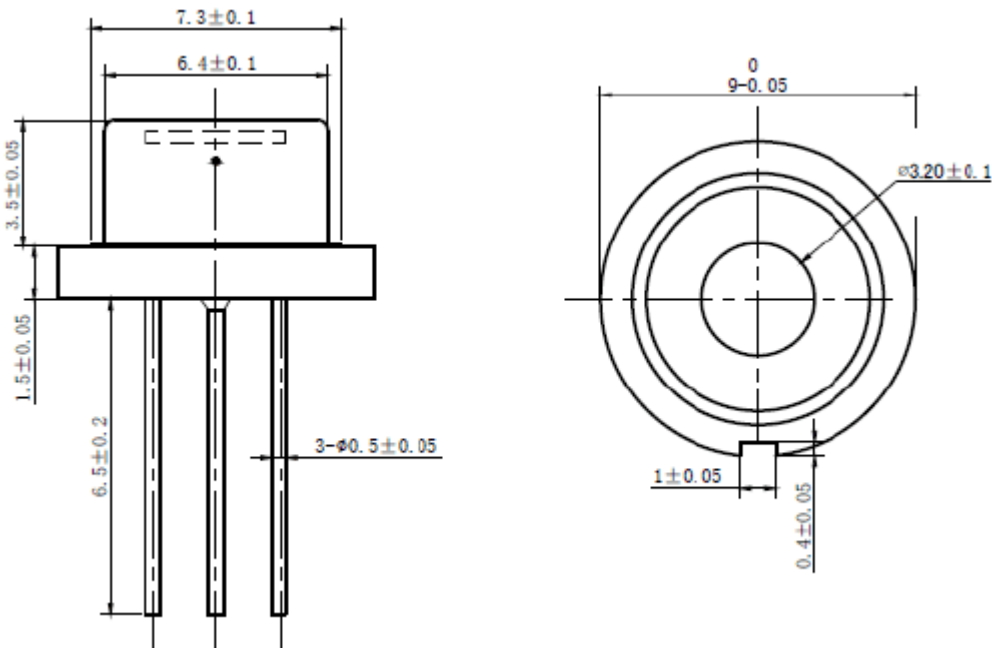
Pin #	Function
Pin 1	LD Cathode
Pin 2	LD Anode / PD Cathode
Pin 3	PD anode



Bottom View



Outline Dimensions



All dimensions in mm



Precautions

Safety

Caution: Laser light emitted from any laser diode may be **harmful to the human eye**. Avoid looking directly into the laser diode's aperture when the diode is in operation.

Note: The use of optical lenses with this laser diode will increase eye hazard

ESD caution

Always do handle laser diodes with extreme care to **prevent electrostatic discharge**, the primary cause of unexpected diode failure. To prevent ESD related failures, it is strongly advised to always **wearing wrist straps**, and **grounding all applicable work surfaces**, when handling laser diodes



Operating Considerations

It is strongly advised to only operate this laser diode with a current source. The current of a laser diode is an exponential function of the voltage across it. **Usage of current regulated drive circuits is mandatory.** Laser diodes may be damaged by excessive drive currents or switching transients

It is advised, to operate the laser diode at the lowest temperature possible, and to never exceed maximum specifications as outlined in the datasheet. Device degradation will accelerate with increased temperature. **Proper heat sinking will greatly enhance stability and life-time of the laser diode**