



RLT635-2W-GOP-FAC

- Red High Power Laser Diode
- 638 nm, 2 W
- Fast Axis Collimator
- Multi transverse mode
- TO5 package (9mm), Flat Window



Description

RLT635-2W-GOP-FAC is a blue high power laser diode, typically emitting at 638 nm. It features multi transverse mode emission and maximum operating temperature of 40°C. A **square beam output** is achieved by an integrated **Fast Axis Collimator (FAC)**. It is an efficient radiation source for many applications like laser projection, holography, metrology, or use in the biomedical field. **RLT635-2W-GOP-FAC** comes in 9 mm TO-Can package **without PD**.

Maximum Rating*

Parameter	Symbol	Values		Unit
		Min.	Max.	
Reverse Voltage	V_R		2	V
Operating Temperature*	T_{OPR}	- 10	+ 40	°C
Storage Temperature*	T_{STG}	- 40	+ 85	°C
Soldering Temperature (max. 3s)	T_{SOL}		+ 260	°C

* operating close to or outside these conditions may damage the device



Electro-Optical Characteristics ($T_{CASE} = 25^\circ\text{C}$)

Parameter	Symbol	Values			Unit
		Min.	Typ.	Max.	
Peak Wavelength	λ_P	630	638	645	nm
Spectral Width	λ_Δ		2.0		nm
Optical Output Power	P_O		2.0		W
Operating Voltage	V_F		2.5		V
Threshold Current	I_{th}		0.5		A
Operating Current	I_F		2.5		A
Slope Efficiency	η		1.2		W/A
Spatial Mode		Multi transverse mode			
Lens Type		Fast axis collimator			
Beam shape		Square beam			
Beam Divergence (FWHM)	parallel	$\theta_{ }$	10		deg.
	perpendicular	θ_{\perp}	10		deg.



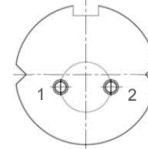
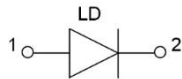


Electrical Connection

Pin Configuration (subject to change without notice)

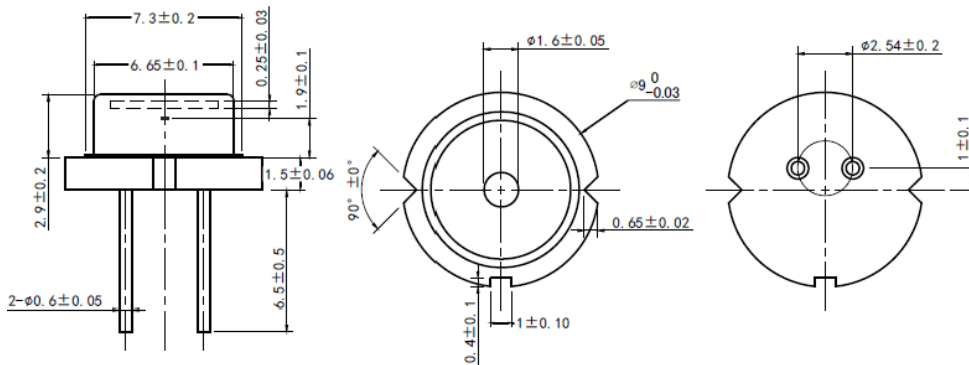
Bottom View

Pin #	Function
Pin 1	LD Anode
Pin 2	LD Cathode



Outline Dimensions

T05



All dimensions in mm

Precautions

Safety

Caution: This laser diode emits highly concentrated light which can be **hazardous to the human eye and skin**. This diode is classified as **CLASS 4 laser product** according to **IEC 60825-1** and **21 CFR Part 1040.10 Safety Standards**.

Note: The use of optical lenses with this laser diode will increase eye hazard

ESD caution

Always do handle laser diodes with extreme care to **prevent electrostatic discharge**, the primary cause of unexpected diode failure. To prevent ESD related failures, it is strongly advised to always **wearing wrist straps**, and **grounding all applicable work surfaces**, when handling laser diodes

Operating considerations

It is strongly advised to only operate this laser diode with a current source. The current of a laser diode is an exponential function of the voltage across it. **Usage of current regulated drive circuits is mandatory**. Laser diodes may be damaged by excessive drive currents or switching transients

Proper heat sinking will greatly enhance stability and lifetime of the laser diode