



RLTMLL-457 3-10W

LOW NOISE LASER



Green Diode Pumped Solid State Laser

All solid state 457 nm low noise laser featuring of compact size, long lifetime, and low cost, which is widely used for scientific experiments, measurements, optical sensors, communication, spectrum analysis, etc.



Specifications	
Wavelength	457 ±1 nm
Output Power	3 - 10 W
Transverse Mode	Near TEM ₀₀
Operating Mode	CW
Power Stability (rms, over 4 hours)	< 3%, < 5%
Warm-up time	< 15 min
M ² factor	< 3.0 – 6.0
Beam Divergence (full angle)	< 2.0 mrad
Beam Diameter (at the aperature)	~ 4.0 mm
Beam Height (from base plate)	93.5 mm
Polarization ratio	> 100:1
Noise of amplitude (rms, 1 - 20Mhz)	< 3%
Operating Temperature	10 - 35 °C
Power Supply (90-260VAC)	PSU-FDA (included)
Expected Lifetime	10000 hours
Warranty period	1 year

Options	
Fiber coupling	Multi mode/single mode fiber, SMA-905/FC connector



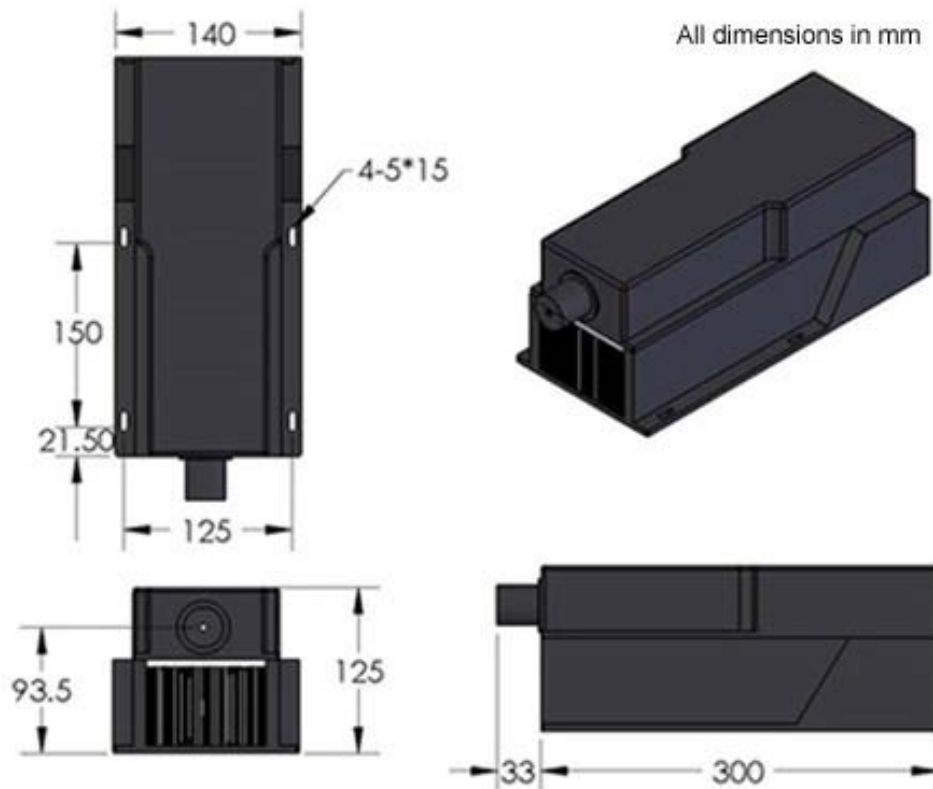
LASER RADIATION
AVOID DIRECT EXPOSURE TO BEAM
DO NOT STARE INTO BEAM
NEVER VIEW THROUGH OPTICAL INSTRUMENTS



RLTMLL laser head



333 x 140 x 125 mm³, 6.1 kg





PSU-FDA power supply



307 x 168 x 123 mm³, 5.1 kg

