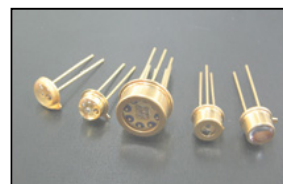




SPD17-0F

TECHNICAL DATA

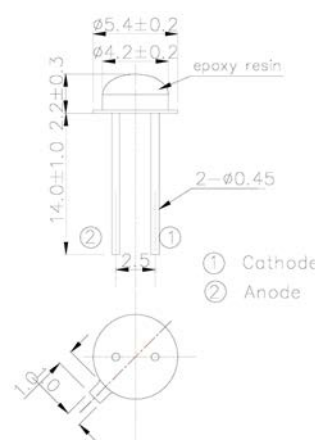


Silicone PD, TO package

SPD17-0T is a PIN-photodiode containing a large chip with 1.3x1.3 mm active area, mounted on a TO-46 stem and hermetical sealed with epoxy resin. This device is featuring excellent responsibility and a high photocurrent. It's designed to be easy of setting up optically with a wide angle of half sensitivity of ± 55 degrees.

Specifications

- Spectral Responsivity (Peak): 900 nm
- Chip Size: 1.5 x 1.5 mm
- Active Area: 1.3 x 1.3 mm
- Package: TO-46
- Type: epoxy resin
- Lens: epoxy resin



(Unit: mm)

Absolute Maximum Ratings ($T_A=25^\circ\text{C}$)

Item	Symbol	Value	Unit
Reverse Breakdown Voltage	$V_{(BR)R}$	170	V
Operating Temperature	T_{opr}	-25 ... +100	$^\circ\text{C}$
Storage Temperature	T_{stg}	-30 ... +125	$^\circ\text{C}$
Soldering Temperature *1	T_{sol}	240	$^\circ\text{C}$

*1 must be completed within 3 seconds at 240°C

Electro-Optical Characteristics

Item	Symbol	Condition	Min.	Typ.	Max.	Unit
Reverse Photo Current	I_L	$V_R=10\text{V}$, $L=1000\text{Lx}$	-	25	-	μA
Reverse Dark Current	I_D	$V_R=10\text{V}$	-	-	10	nA
Open Circuit Voltage	V_{OC}	$V_R=10\text{V}$, $L=1000\text{Lx}$	-	410	-	mV
Spectral Responsivity (Peak)	λ_P		-	900	-	nm
Half Angle of Sensitivity	$\Theta_{1/2}$		-	± 55	-	deg
Total Capacitance	C_T	$V_R=10\text{V}$, $f=1\text{MHz}$	-	6	-	pF
Rise Time (10-90%)	t_r	$R_L=1\text{K}\Omega$, $V_R=10\text{V}$	-	10	-	ns
Fall Time (10-90%)	t_f		-	10	-	ns

Note: The above specifications are for reference purpose only and subjected to change without prior notice.