



## IPD14-12-5T-2

- InGaAs Photodiode
- Spectral Responsivity: 1000 – 1600 nm
- TO-18 package, flat glass window
- Viewing Angle: 58°



### Description

IPD14-12-5T-2 is a InGaAs photodiode with a sensitivity range of **1000 – 1600 nm**. The photodiode chip is disposed inside a TO-18 package and covered by a gold plated cap and window.

### Maximum Ratings ( $T_{CASE}=25^{\circ}C$ )

Parameter	Symbol	Values		Unit
		Min.	Max.	
Reverse Voltage	$V_F$		15	V
Operating Temperature	$T_{CASE}$	- 20	+ 90	°C
Storage Temperature	$T_{STG}$	- 30	+ 100	°C
Lead Solder Temperature * <sup>1</sup>	$T_{SLD}$		+ 265	°C

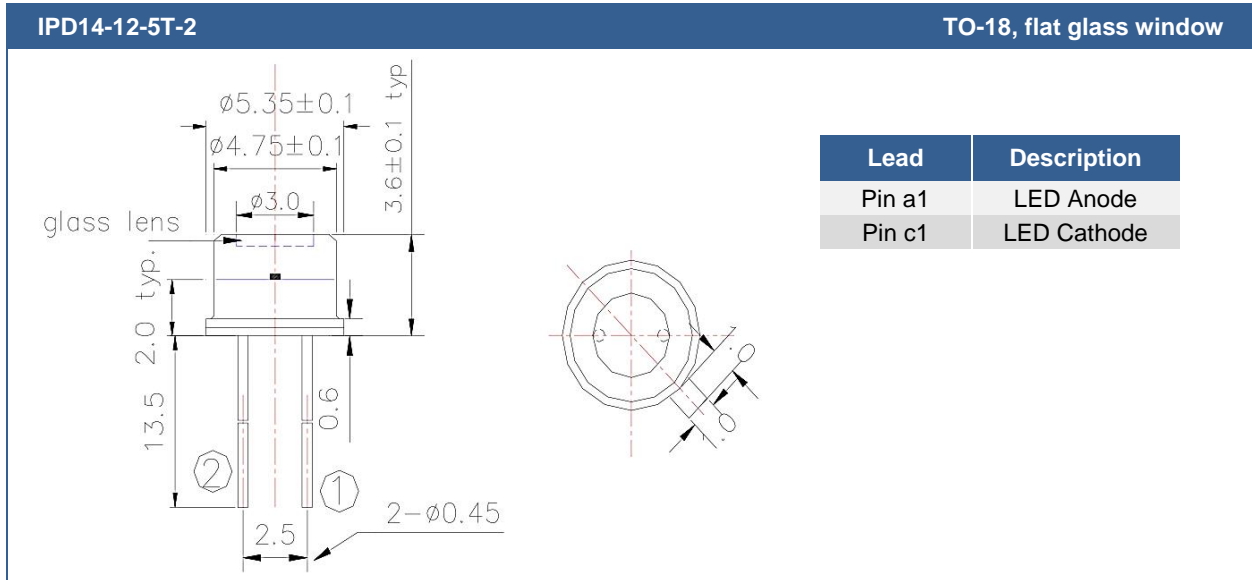
\*<sup>1</sup> must be completed within 5 seconds

### Electro-Optical Characteristics ( $T_{CASE}=25^{\circ}C$ )

Parameter	Symbol	Conditions	Values			Unit
			Min.	Typ.	Max.	
Sensitivity Range	$\lambda_{min}, \lambda_{max}$	$V_R=0V$	1000		1600	nm
Photo Responsivity	$R_E$	$V_R=0V, \lambda_P=1400nm$		0.9		A/W
Photo Current	$I_L$	$V_R=0V, \lambda_P=1400nm$	15	28		$\mu A$
Dark Current	$I_D$	$V_R=3V$			100	nA
Total Capacitance	$P_O$	f=1MHz	$V_R=0V$	50		pF
			$V_R=5V$	15		
Viewing Angle	$\varphi$	$V_R=0V$		58		deg.
Rise Time (10-90%)	$t_R$	$I_F=500m A$		20		ns
Fall Time (10-90%)	$t_F$	$R_L=1K\Omega, V_R=1V$		20		ns



## Outline Dimensions



All Dimensions in mm

© All Rights Reserved

The above specifications are for reference purpose only and subjected to change without prior notice