



## CLP series REFLECTORS for Acriche® and P7® LEDs



### CLP Series

- High efficiency
- Available in 2 different beams
- Ø 23mm and Ø 28mm Standard

### Typical applications are

- Lamps
- Architectural lighting
- Most applications where a compact light source is required



### DESCRIPTION:

The CLP series offers two reflectors designed for Acriche® LEDs. These REFLECTORS have been studied by using software for optical simulation in order to get the narrow and medium beam with a homogeneous central spot.

### REPORT:

From 1 m ± 0,02 distance, we have measured Luminous Intensity emitted by LED.

### MEASURED DATA:

Column 1 shows p/n of the Lenses, column 2 shows Luminous Intensity detected measuring LEDs without lens, column 3 shows Luminous Intensity detected on LEDs coupled with lens, column 4 shows the difference (X\*) between col. 2 and col. 3

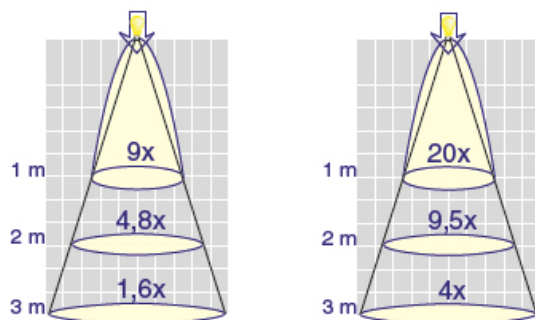
Lens Type	LED Lux from 1 Mt (ftc From 1 Mt)	LED + REFLECTORS Lux from 1Mt (ftc From 1 Mt)	X*
CLP23CR (20°)	50,3 (4,64 ftc)	470 (43,38 ftc)	9
CLP28ACR (12°)	50,3 (4,64 ftc)	1030 (95,06 ftc)	20

Test carried out after 5 min. of operation of the LED

Measurements carried out with Luxometer mod LUX-1337 of ISO-TEC and MINOLTA mod LS - 150

\* X is the value of measurement of the LED brightness at 1 meter distance, without optic devices applied to the LED.

### White LED Illuminance Chart



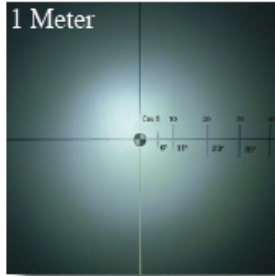
CLP23CR

CLP28ACR

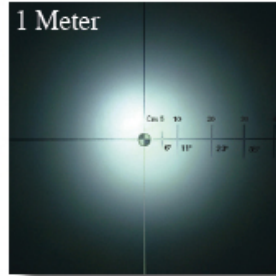
\* X is the value of measurement of the LED brightness at 1 meter distance, without optic devices applied to the LED.



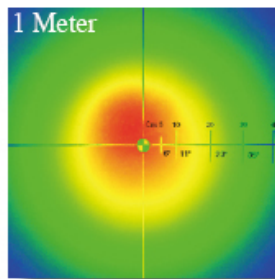
Photos:



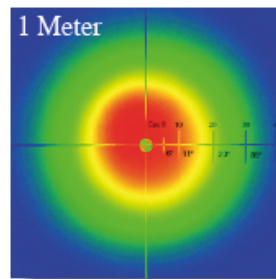
CLP23CR



CLP28ACR



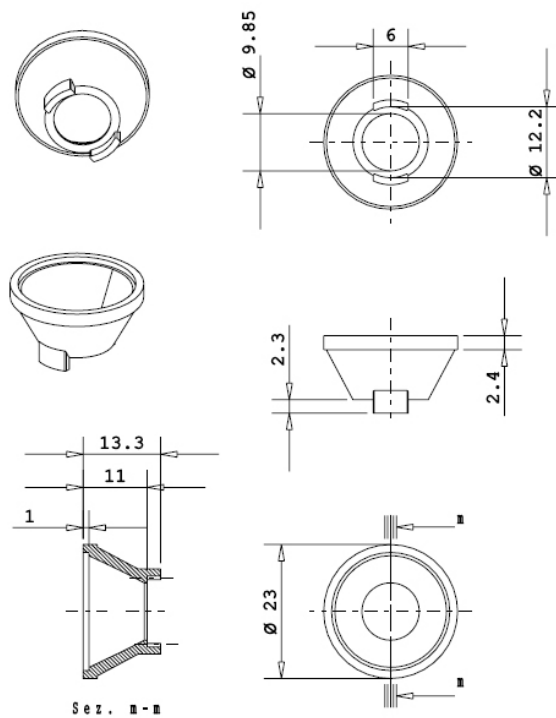
CLP23CR  
spectro metric analysis



CLP28ACR  
spectro metric analysis

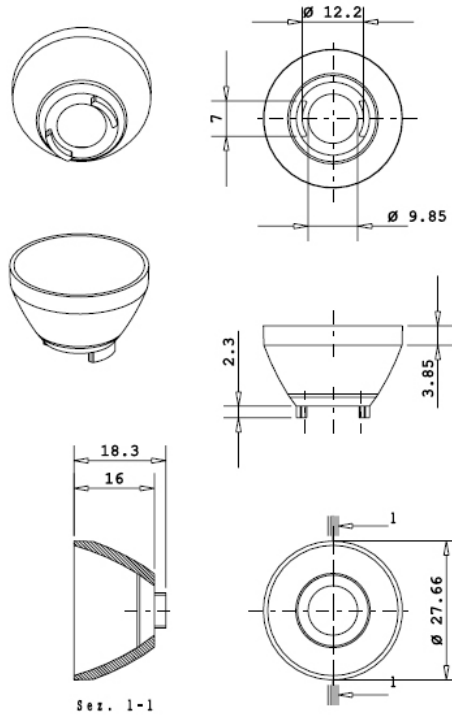
Measurements carried out with Luxometer mod LUX-1337. Room Luminous Intensity: 0 Lumen. Camera mod. Fujifilm S7000

## Drawing CLP23CR:





## Drawing CLP28ACR:



### Reflectors characteristics

Parameter	Symbol	Rating	Unit
Reflector Material	PC Polycarbonate, Aluminium reflective coating with protective clear-coat	--	--
Operating Temperature	Topr	-40 to +120	°C
Storage Temperature	Tstg	-40 to +120	°C