



ROITHNER LASERTECHNIK GmbH

WIEDNER HAUPTSTRASSE 76
TEL. +43 1 586 52 43 -O. FAX. -44

1040 VIENNA AUSTRIA
OFFICE@ROITHNER-LASER.COM



B3B-440-LBS

- White Light Emitting Diode
- 10.5 cd
- InGaN structure
- 3 mm epoxy package



Description

B3B-440-LBS is an **InGaN** white LED, based on a blue LED with a phosphor coating. It has a luminous intensity of 10.5 cd, and comes in a hermetically sealed clear 3 mm epoxy resin.

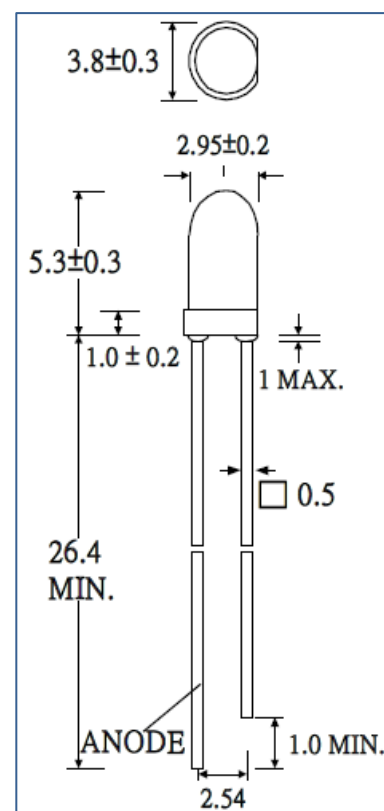
Maximum Rating ($T_{CASE} = 25^{\circ}C$)

Parameter	Symbol	Values		Unit
		Min.	Max.	
Power Dissipation, DC	P_D		95	mW
Pulse Forward Current*	I_{FP}		100	mA
Reverse Voltage	V_R		5.0	V
Operating Temperature	T_{OPR}	- 40	+ 85	$^{\circ}C$
Storage Temperature	T_{STG}	- 40	+ 100	$^{\circ}C$
Soldering Temperature (max 3s)	T_{SOL}		+ 260	$^{\circ}C$

* Duty cycle = 10% @ 1 kHz

Electro-Optical Characteristics ($T_{CASE} = 25^{\circ}C$, $I_F = 20$ mA)

Parameter	Symbol	Values			Unit
		Min.	Typ.	Max.	
Forward Voltage	V_F	2.7	3.2	3.8	V
Reverse Current ($V_R = 5V$)	V_R			10	μA
Luminous Intensity	I_V	7.0	10.5		cd
Viewing Half Angle	$\Theta_{1/2}$		10		deg.

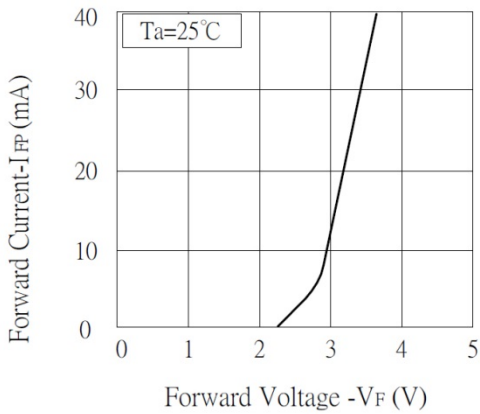


All dimensions in mm

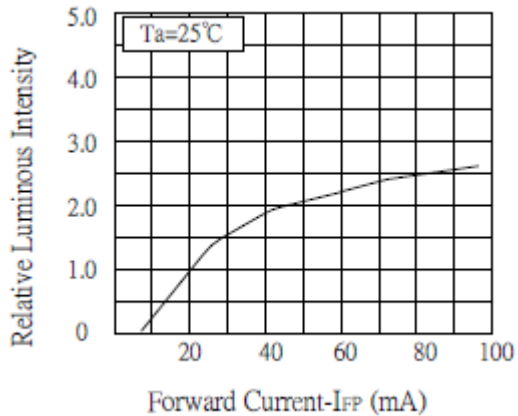
Performance Characteristics



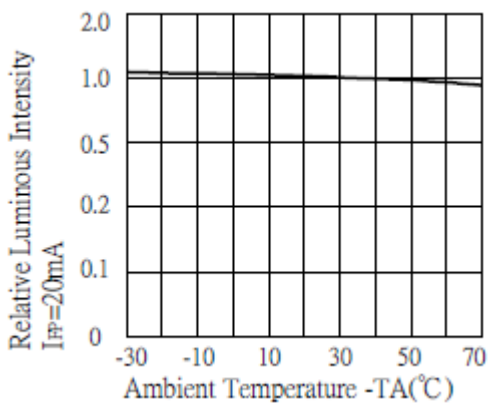
Forward Current vs. Forward Voltage



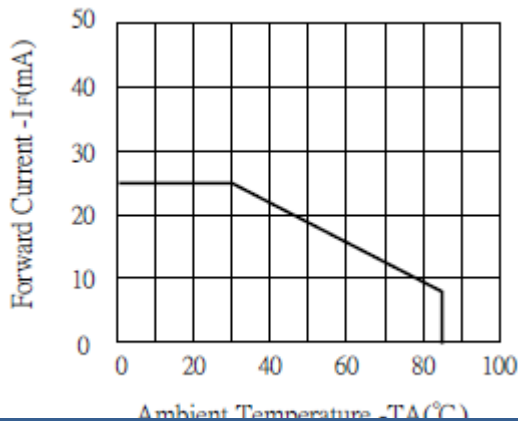
Relative Luminous Intensity vs. Forward Current



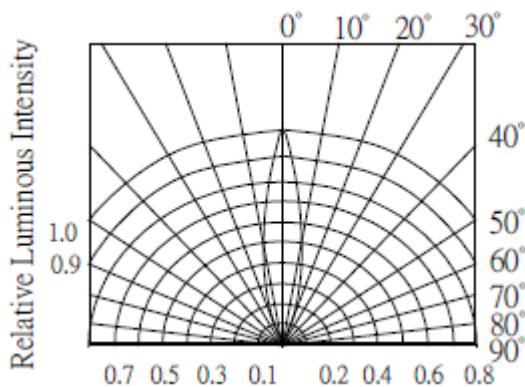
Relative Luminous Intensity vs. Ambient Temp.



Allowable Forward Current vs. Ambient Temp.



Relative Luminous Intensity



Relative Luminous Intensity vs. Wavelength

