



Lead (Pb) Free Product RoHS compliant

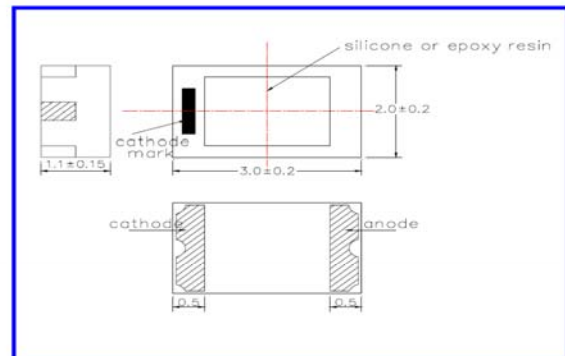
## SMC570 High Bright Green color SMD LED on ceramics

SMC570 consists of a InGaAlP LED mounted on the ceramics package and is sealed with silicone or epoxy resin. It emits a spectral band of radiation at 570nm.

### ◆ Specifications

- 1) Product Name SMD type green color LED
- 2) Type No. SMC570
- 3) Chip
  - (1) Chip Material InGaAlP/GaAs
  - (2) Peak Wavelength 570 nm typ
- 4) Package
  - (1) Package Ceramics
  - (2) Lens Silicone or Epoxy resin

### ◆ Outer dimension (Unit :mm)



### ◆ Absolute Maximum Rating

Item	Symbol	Maximum Rated Value	Unit	Ambient Temperature
Power Dissipation	P <sub>D</sub>	60	mW	T <sub>a</sub> =25°C
Forward Current	I <sub>F</sub>	30	mA	T <sub>a</sub> =25°C
Reverse Voltage	V <sub>R</sub>	5	V	T <sub>a</sub> =25°C
Operating Temperature	T <sub>OPR</sub>	-20 ~ +80	°C	
Storage Temperature	T <sub>STG</sub>	-30 ~ +80	°C	
Soldering Temperature	T <sub>SOL</sub>	240	°C	

‡Soldering condition : Solder condition must be completed within 3 seconds at 240°C

### ◆ Electro-Optical Characteristics [ T<sub>a</sub>=25°C ]

Item	Symbol	Condition	Minimum	Typical	Maximum	Unit
Forward Voltage	V <sub>F</sub>	I <sub>F</sub> =20mA		1.95	2.20	V
Reverse Current	I <sub>R</sub>	V <sub>R</sub> =5V			10	uA
Total Radiated Power	P <sub>o</sub>	I <sub>F</sub> =20mA		0.2		mW
Brightness	I <sub>v</sub>	I <sub>F</sub> =20mA		30		mcd
Radiant Intensity	I <sub>E</sub>	I <sub>F</sub> =20mA		0.06		mW/sr
Peak Wavelength	λ <sub>P</sub>	I <sub>F</sub> =20mA	560	570	580	nm
Half Width	Δλ	I <sub>F</sub> =20mA		15		nm
Viewing Half Angle	Δθ	I <sub>F</sub> =20mA		±55		deg.

‡Total Radiated Power is measured by Photodyne #500

‡Radiant Intensity is measured by Tektronix J-6512.

‡Brightness is measured by Tektronix J-16.