



## RLS-5B475-S

Rev.2.0, 17.06.2019

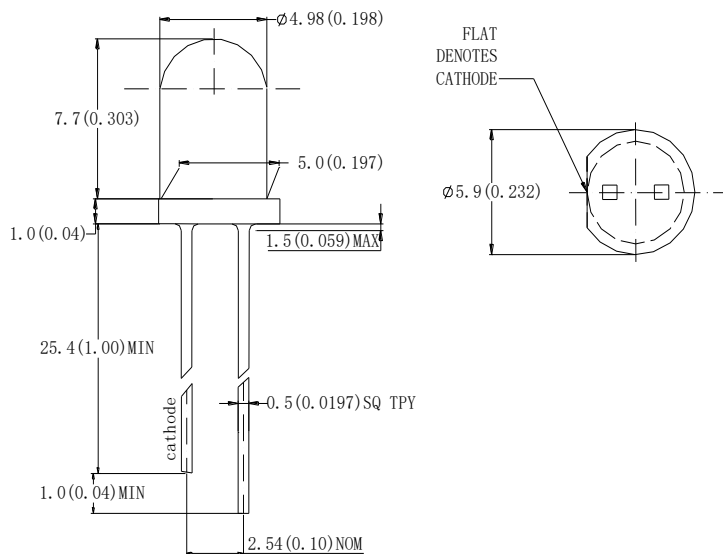
### Maximum Ratings ( $T_{CASE}=25^{\circ}C$ )

Reverse Voltage	5 V
Reverse Current, $V_R=5$ V	$\leq 10 \mu A$
Operating Temperature	-40 °C ... +85 °C
Storage Temperature	-40 °C ... +100 °C
Lead Soldering Temperature	250 °C (5 Seconds)
Power Dissipation	60 mW

### Electro-Optical Characteristics ( $T_{CASE}=25^{\circ}C$ )

Wavelength $\lambda_p$ (nm)	Lens Appearance	Absolute Maximum Rating			Electro-Optical Data				Viewing Angle $2\theta$ 1/2 (deg)
		$P_d$ (mW)	$I_F$ (mA)	Peak $I_F$ (mA)	$V_F$ (V)		$I_V$ (mcd)		
typ.	max				min	typ.			
470-480	Water Clear	60	20	150	3.1	3.4	2000	4000	20±5

### Outline Dimensions



- NOTES:**
1. All dimensions are in millimeters (inches)
  2. Tolerance is  $\pm 0.25$ mm(0.01) unless otherwise specified.
  3. The products are sensitive to static electricity and care must be fully taken when handling products.
  4. Lead spacing is measured where the leads emerge from the package.
  5. Specifications are subject to change without notice