



ROITHNER LASERTECHNIK GmbH

WIEDNER HAUPTSTRASSE 76
TEL. +43 1 586 52 43 -0, FAX. -44

1040 VIENNA AUSTRIA
OFFICE@ROITHNER-LASER.COM



ELD-450-525

- BLUE Light Emitting Diode
- 450 nm, 5.2 cd
- InGaN structure
- 5 mm epoxy package



Description

ELD-450-525 is an **InGaN** based BLUE LED, typically emitting at 450 nm with a luminous intensity of 5.2 cd. It comes in a hermetically sealed clear 5 mm epoxy resin.

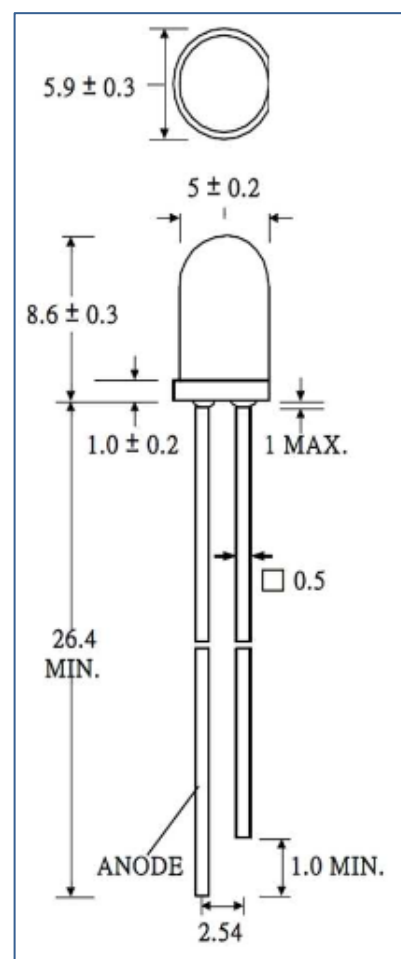
Maximum Rating ($T_{CASE} = 25^{\circ}C$)

Parameter	Symbol	Values		Unit
		Min.	Max.	
Power Dissipation, DC	P_D		114	mW
Pulse Forward Current*	I_{FP}		100	mA
Continuous Forward Current	I_F		30	mA
Reverse Voltage	V_R		5.0	V
Operating Temperature	T_{OPR}	- 20	+ 80	$^{\circ}C$
Storage Temperature	T_{STG}	- 40	+ 100	$^{\circ}C$
Soldering Temperature (max 3s)	T_{SOL}		+ 260	$^{\circ}C$

* Duty cycle = 10% @ 1 kHz

Electro-Optical Characteristics ($T_{CASE} = 25^{\circ}C$, $I_F = 20$ mA)

Parameter	Symbol	Values			Unit
		Min.	Typ.	Max.	
Peak Wavelength	λ_P		450		nm
Dominant Wavelength	λ_D		455		nm
Spectral Width (FWHM)	$\Delta\lambda$		30		nm
Forward Voltage	V_F		3.2	3.8	V
Reverse Current ($V_R = 5V$)	V_R			10	μA
Luminous Intensity	I_V	3400	5200		mcd
Viewing Half Angle	$\Theta_{1/2}$		10		deg.



All dimensions in mm

