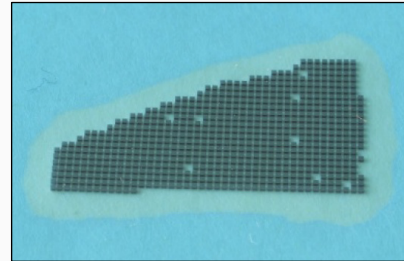




ELC-870-17-2



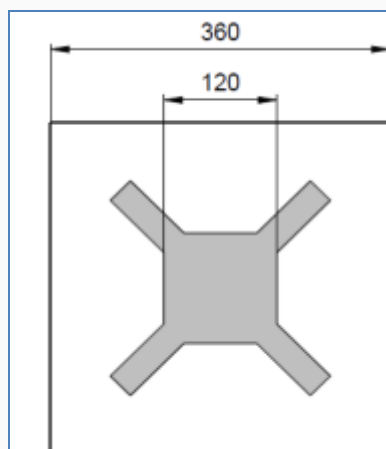
Description

ELC-870-17-2 is a AlGaAs based 360x360 μm bare LED chip die of double hetero structure in dual combination (DDH) with gold plated electrodes. It has a typical emission wavelength of 870 nm, and is delivered on adhesive film with the wire bond side up.

Characteristics ($I_F=20\text{mA}$, $T_{AMB}=25^\circ\text{C}$)

Parameter	Symbol	Min.	Values		Unit
			Typ.	Max.	
Emission Wavelength	λ_{peak}	855	870	880	nm
Forward Voltage	V_F		1.35	1.6	V
Reverse Voltage ($I_R=100\mu\text{A}$)	V_R	5			V
Radiant Power	P_O	4.5	6.0		mW
Rise/Fall time	t_R/t_F		25		ns
Spectral bandwidth (FWHM)	$\lambda\Delta$		45		nm

Drawing & Dimensions



P (anode) up

All dimensions in μm

Thickness	200 ± 25	μm
Anode, gold alloy	1.5	μm
Cathode, gold alloy	0.5	μm