



## RGL-650-9C

- Single Glass Lens Laser Diode Collimator
- EFL = 6.50 mm, N.A = 0.45
- ARC 400-700 nm
- Threaded design



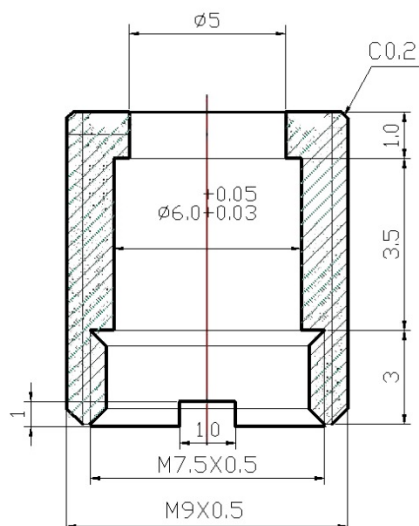
### Description

**RGL-650-9C** is a single glass lens laser diode collimator, featuring a brass housing with a M9x0.5 fine pitched thread. The accommodated glass lens has a **focal length of 6.5 mm** and comes with a broad **anti reflection coating (400-700 nm)**, making it ideally suitable for blue, green, and red laser diodes. **RGL-650-9C** can be used in conjunction with our **LDMT** series of laser diode mounting tubes (see page 2).

### Specification

| Parameter               | Values                 | Unit |
|-------------------------|------------------------|------|
| Effective Focal Length  | 6.5                    | mm   |
| Numerical Aperture      | 0.45                   |      |
| Clear Aperture          | 5.0                    | mm   |
| Anti-Reflection Coating | 400 - 700              | nm   |
| Thread                  | M9 x 0.5               | mm   |
| Dimensions              | Ø9 x 7.5               | mm   |
| Material body           | brass, black burnished |      |
| Material lens           | glass                  |      |

### Outline Dimensions



All dimensions in mm



## Accessories

### LDMT Laser Diode Mounting Tube



- Available for 5.6 mm and 9.0 mm laser diodes
- Inside thread M9x0.5
- AlCuBiPb F37, black anodized
- Compatible with RGL laser diode collimators