



## RGL-402-9C

- Single Glass Lens Laser Diode Collimator
- $f = 4.02$  mm,  $N.A = 0.6$
- ARC 400-700 nm
- Threaded design



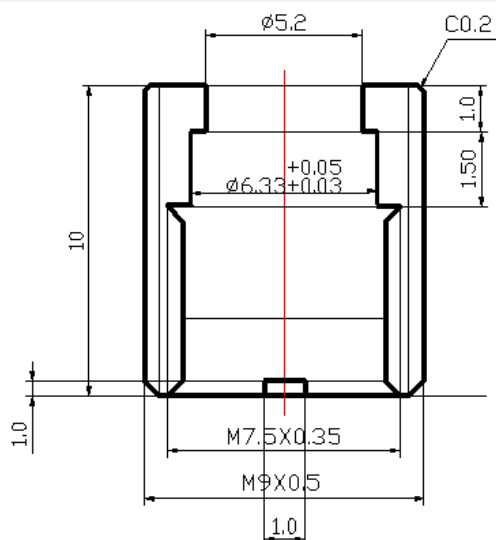
### Description

**RGL-402-9C** is a single glass lens laser diode collimator, featuring a brass housing with a M9x0.5 fine pitched thread. The accommodated glass lens has a **short focal length** of only **4.02 mm** and comes with a broad band **anti reflection coating** for wavelength of **400-700 nm**, making it equally suitable for blue, green, red, and also IR laser diodes. **RGL-402-9C** can be used in conjunction with our **LDMT** series of laser diode mounting tubes (see page 2).

### Specification

Parameter	Values	Unit
Focal Length	4.02	mm
Numerical Aperture	0.6	
Anti-Reflection Coating	400 - 700	nm
Thread	M9 x 0.5	mm
Dimensions	Ø9 x 10.0	mm
Material body	brass, yellow burnished	
Material lens	glass	

### Outline Dimensions



All dimensions in mm



## Accessories

### LDMT Laser Diode Mounting Tube



- Available for 5.6 mm and 9.0 mm laser diodes
- Inside thread M9x0.5
- AlCuBiPb F37, black anodized
- Compatible with RGL laser diode collimators

© All Rights Reserved

The above specifications are for reference purpose only and subjected to change without prior notice