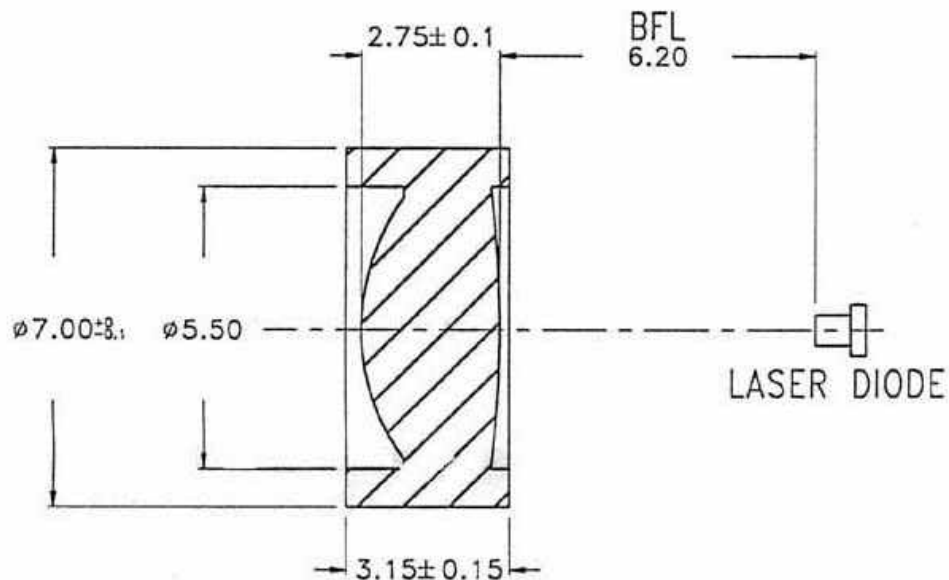


# LC7

## ACRYLIC LASERDIODE COLLIMATOR

### 7 $\Phi$ Collimating Lens for Laser Diode

1. Injection Molded Plastic Lens (PMMA)
2. Double Aspheric Surfaces Design
3. Design Wavelength 650 nm
4. F-Number 1.56
5. BFL 6.21mm
6. Clear Aperture 5.00mm
7. Lens Diagram



## **ROITHNER LASERTECHNIK**

A-1040 WIEN, FLEISCHMANNGASSE 9

TEL: +43 -1- 586 52 43 FAX: +43 -1- 586 41 43

e-mail: [office@roithner-laser.com](mailto:office@roithner-laser.com) <http://www.roithner-laser.com>