



SPM808-4W-105M-PDT-9P

- Fiber-Pigtailed Laser Diode Module
- 808 nm, 4 W
- 105 μm Multimode Fiber
- 9-Pin HHL Package
- Built-in TEC



Description

SPM808-4W-105M-PDT-9P is a fiber-pigtailed laser diode module, typically emitting at 808 nm with an output power of 4 W. It comes in a 9-pin HHL package with built in PD + TEC, and 105 μm multimode fiber with FC/PC connector.

Additional options like SMA905 or ST fiber connector, or 200 μm fiber, are available on request.

Maximum Rating

Parameter	Symbol	Values		Unit
		Min.	Max.	
Reverse Voltage	V_R		2.0	V
Operating Temperature	T_{OPR}	+ 10	+ 30	$^{\circ}\text{C}$
Storage Temperature	T_{STG}	- 20	+ 80	$^{\circ}\text{C}$
Soldering Temperature (max. 3s)	T_{SOL}		+ 260	$^{\circ}\text{C}$



Electro-Optical Characteristics ($T_{CASE} = 25^{\circ}\text{C}$)

Parameter	Symbol	Values			Unit
		Min.	Typ.	Max.	
Peak Wavelength	λ_P	798	808	818	nm
Output Power	P_O		4		W
Spectral Width (FWHM)	$\Delta\lambda$		3		nm
Temperature Coefficient	α		0.3		nm/ $^{\circ}\text{C}$
Operating Voltage	V_F		1.9		V
Threshold Current	I_{th}		1.0		A
Operating Current	I_F		5.5		A
TEC max. Current	I_{TEC}			6.0	A
TEC max. Voltage	U_{TEC}			9.8	V
Fiber	Type		Multimode		
	Core		105		μm
	Numerical Aperture		0.22		
	Connector *		FC/PC		
	Length		80		cm





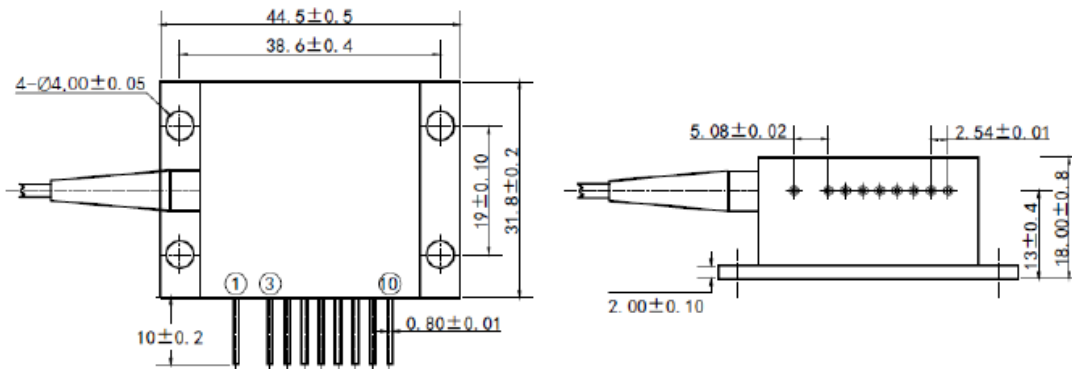
Electrical Connection

Pin Configuration*

PIN #	Function	PIN #	Function
1	TEC -	6	Thermistor
2	-	7	LD Cathode
3	Case	8	PD Anode
4	LD Anode	9	PD Cathode
5	Thermistor	10	TEC +

* subject to change

Outline Dimension



All dimensions in mm

Precautions

Safety

Caution: Laser light emitted from any laser diode may be harmful to the human eye. Avoid looking directly into the laser diode's aperture when the diode is in operation.

Note: The use of optical lenses with this laser diode will increase eye hazard

ESD Caution

Always do handle laser diodes with extreme care to **prevent electrostatic discharge**, the primary cause of unexpected diode failure. To prevent ESD related failures we strongly advise to always **wearing wrist straps**, and **grounding all applicable work surfaces**, when handling laser diodes

Operating Considerations

We strongly advise to only operate this laser diode with a current source. The current of a laser diode is an exponential function of the voltage across it. **Usage of current regulated drive circuits is mandatory.** Laser diodes may be damaged by excessive drive currents or switching transients. It is advised, to operate the laser diode at the lowest temperature possible, and to never exceed maximum specifications as outlined in the datasheet. Device degradation will accelerate with increased temperature. **Proper heat sinking will greatly enhance stability and life-time of the laser diode.**