



SPL520-10-4-PD

- Green Pigtailed Laser Diode
- 520 nm, 10 mW
- 3 μm Fiber
- single mode



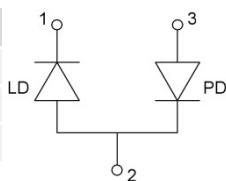
Description

SPL520-10-4-PD is a green pigtailed single mode laser diode, typically emitting at 520nm with an output power of 10 mW. It comes in a coaxial package with **3 μm single mode fiber** and FC/PC connector, integrated monitor photodiode, and **preinstalled heatsink** (see drawing on page 2).

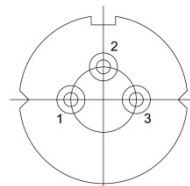
Electrical Connection

Pin Configuration*

Pin #	Function
Pin 1	LD cathode
Pin 2	LD anode, PD cathode
Pin 3	PD anode



Bottom View



* subject to change

Maximum Rating ($T_{\text{CASE}} = 25^{\circ}\text{C}$)

Parameter	Symbol	Values		Unit
		Min.	Max.	
Reverse Voltage	V_R		2.0	V
Operating Temperature	T_{OPR}	- 40	+ 60	$^{\circ}\text{C}$
Storage Temperature	T_{STG}	- 40	+ 85	$^{\circ}\text{C}$
Soldering Temperature (max. 3s)	T_{SOL}		+ 260	$^{\circ}\text{C}$

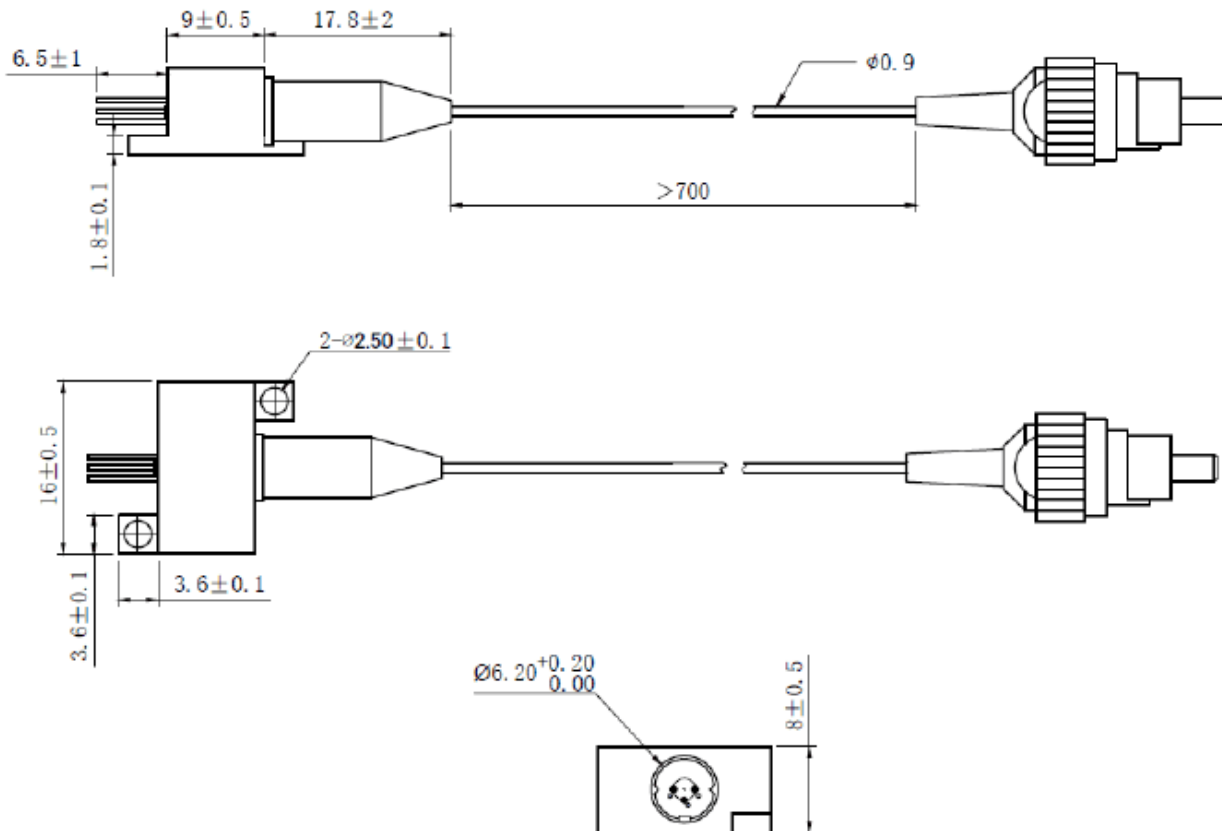


Electro-Optical Characteristics ($T_{\text{CASE}} = 25^{\circ}\text{C}$)

Parameter	Symbol	Values			Unit
		Min.	Typ.	Max.	
Peak Wavelength	λ_P	515	520	530	nm
Spectral Width (FWHM)	$\Delta\lambda$		2.0		nm
Output Power	P_O		10		mW
Operating Voltage	V_F		7.5	8.0	V
Threshold Current	I_{th}		45	75	mA
Operating Current	I_F		150	160	mA
Photodiode Current	I_{PD}		100		μA
Fiber Specification	core		3		μm
	connector		FC/PC		
	length		80		cm



Outline Dimensions



All dimensions in mm

© All Rights Reserved

The above specifications are for reference purpose only and subjected to change without prior notice