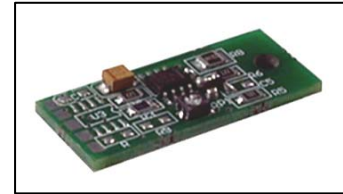




## EU-38-1

### TECHNICAL DATA



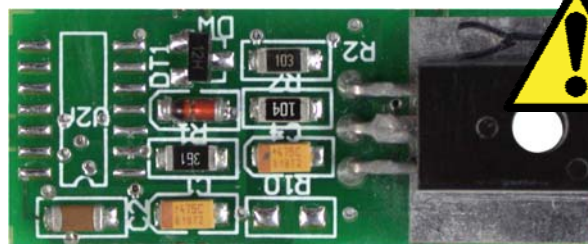
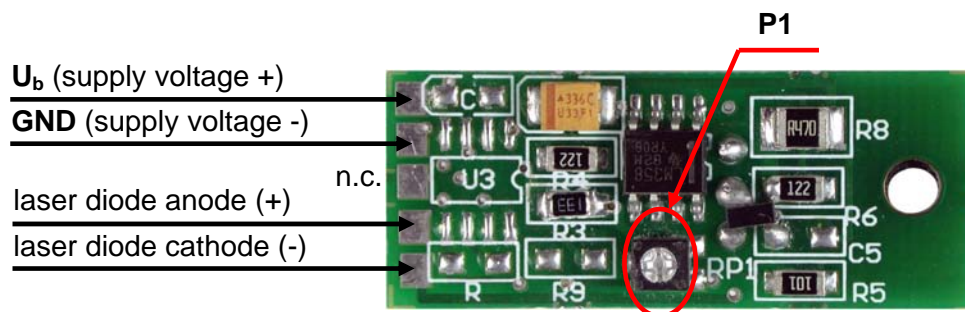
## Laser Diode Driver

### Features

- constant laser diode current adjustable with potentiometer
- laser diode output power independent from supply voltage

### Specification

- dimension: 35 x 15 mm<sup>2</sup> (+/- 0.5 mm)
- supply voltage: 4.0 - 5.0 VDC
- max laser diode current: 1 A



### CAUTION

for high currents  
use a heat sink  
transistor gets hot

- P1:** trim pot for laser diode current adjustment
- turn left = laser diode current increase
  - turn right = laser diode current decrease

**Note:** P1 is a trim pot which can be turned clockwise and counterclockwise slowly to the end points. The trim pot can be damaged, if you keep on turning it at the end point !