



## RLT1450-2WC

- Red Laser Diode
- 1450 nm, 2 W
- Multi mode
- C-Mount Package



### Description

RLT1450-2WC is a high power single emitter IR laser diode emitting at typically 1450 nm with rated output power of 2 W cw. It comes in copper C-Mount package.

### Maximum Ratings

Parameter	Values	Unit
Reverse Voltage	2.0	V
Operating Temperature	+ 10 ... + 30	°C
Storage Temperature	- 40 ... + 80	°C
Lead soldering temperature (max. 10 s)	260	°C

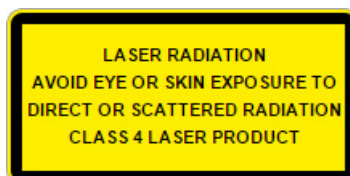
### Specifications (T<sub>C</sub>=25°C)

Parameter	Symbol	Values			Unit
		Min.	Typ.	Max.	
Wavelength	$\lambda_P$	1420	1450	1480	nm
Output Power	P <sub>O</sub>		2		W
Spectral Width (FWHM)	$\Delta\lambda$		6	10	nm
Emitting Area			85 x 1		$\mu\text{m}$
Beam Divergence (FWHM)	$\theta_{\parallel}$		8		°
	$\theta_{\perp}$		28		°
Threshold Current	I <sub>T</sub>		0.5	0.8	A
Operating Current	I <sub>O</sub>		4.5	5.0	A
Operating Voltage	U <sub>O</sub>		1.5	1.8	V
Slope Efficiency	$\eta$		0.5		W/A
Temperature Coefficient			0.7		nm/°C

### Safety Instructions

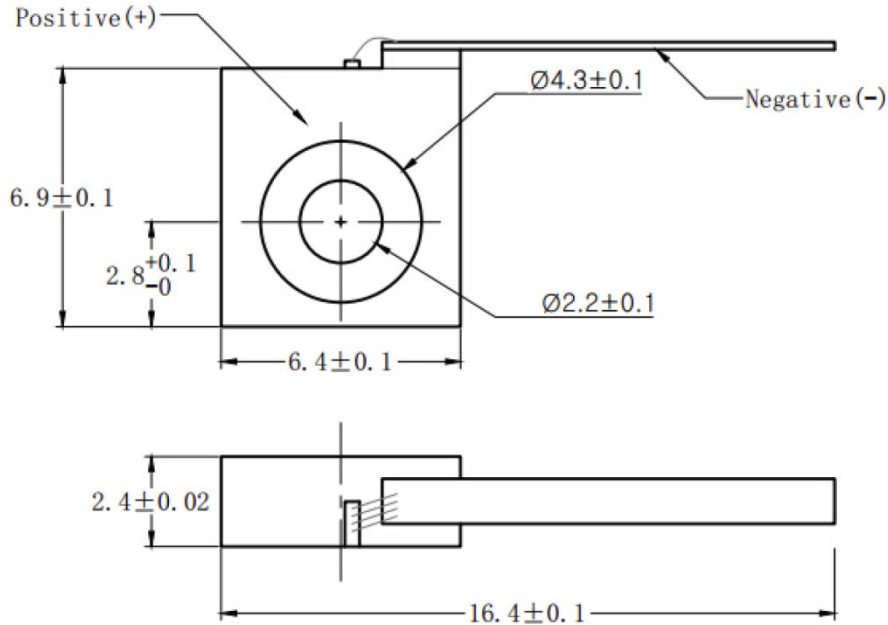


This laser diode emits highly concentrated light which can be **hazardous to the human eye and skin**. This diode is classified as **CLASS 4 laser product** according to IEC 60825-1 and 21 CFR Part 1040.10 Safety Standards.





## Dimensions



all dimensions in mm

## ESD Caution



Always do handle laser diodes with extreme caution to prevent electrostatic discharge, the primary cause of unexpected diode failure. ESD failures can be prevented by always wearing wrist straps, only using a grounding workplace, and following strict anti-static guidelines when handling the laser diode

