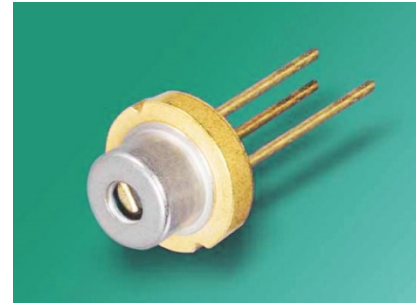




LD-520-120MG

- **Direct Emitting Green Laser Diode**
- **520 nm, 120 mW**
- **Single Transverse Mode**
- **Structure: GaN**



Description

LD-520-120MG is a direct emitting, **GaN based**, 520nm green laser diode in TO56 package **without photodiode**. It offers single transverse mode emission and >100 Mhz modulation bandwidth. It is an efficient radiation source for many applications like **laser projection**, holography, metrology, biomedical application...

Maximum Ratings

Parameter	Symbol	Values		Unit
		Min.	Max.	
Operating Current	I_F		480	mA
Reverse Voltage	V_R		2	V
Operating Temperature	T_{CASE}	+ 10	+ 60	°C
Storage Temperature	T_{STG}	- 40	+ 85	°C
Soldering Temperature	T_{SOLDER}		260	°C

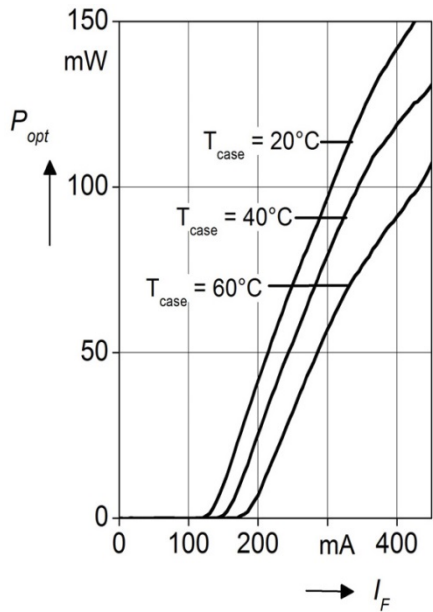
Laser Characteristics (T_{CASE} = 25°C, P_O = 50 mW)

Parameter	Symbol	Values			Unit
		Min.	Typ.	Max.	
Emission Wavelength	λ_{peak}	515	520	530	nm
Optical Output Power	P_O		120		mW
Spectral Width	$\Delta\lambda$		2		nm
Threshold Current	I_{th}		140	200	mA
Operating Current	I_F		340		mA
Operating Voltage	V_F		6		V
Beam Divergence (FWHM)	$\theta_{ } \times \theta_{\perp}$	4x18	7x23	11x26	deg
Polarization	P_{GR}	20:1			
Modulation Frequency	f		>100		MHz
Thermal Resistance (junction to case)	R_{th}		20		K/W

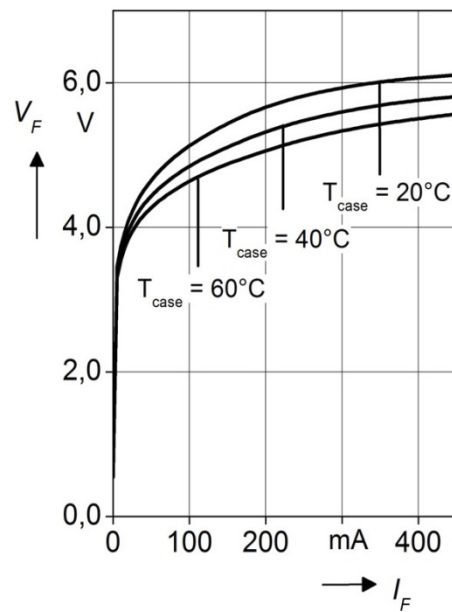


Performance Characteristics

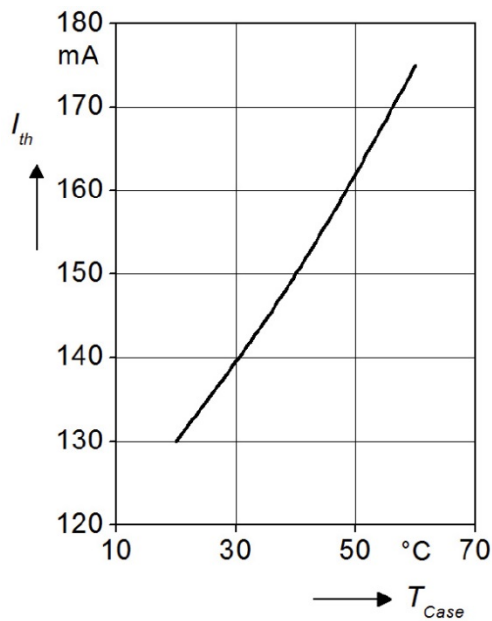
Optical Output Power



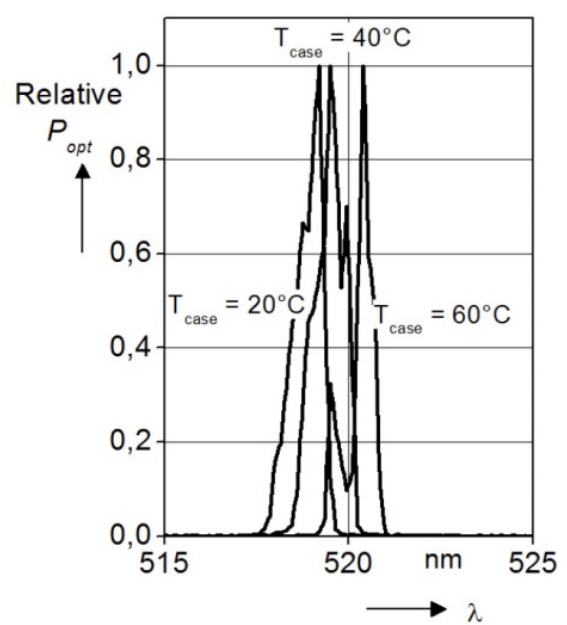
Operating Voltage



Threshold Current

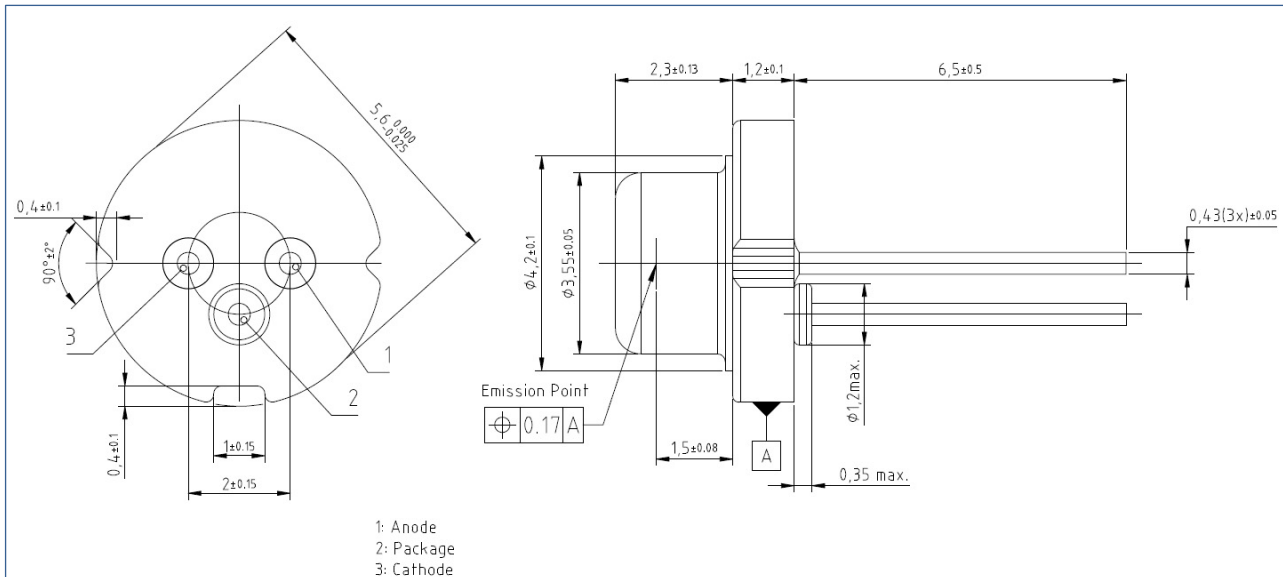


Spectrum



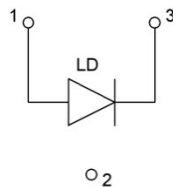


Drawing



Electrical Connection

Lead	Description
Pin 1	LD Anode
Pin 2	Case
Pin 3	LD Cathode



Mounting Instruction

In order to maintain lifetime and stability of the laser diode it is essential to provide efficient heat management. Heat dissipation is possible through the base plate only. For long time stable operation proper contact between laser diode base plate and heat sink is mandatory

Safety Advice

This laser diode emits highly concentrated visible light which can be **hazardous to the human eye**. This diode is classified as **Class 3B laser product** according to **IEC 60825-1**. Actual laser light emitted and precautions necessary strongly depend on mode of operation.