



LDM-0980 Series

TECHNICAL DATA

C-mount / TO-3

High Power Infrared Laser Diode

Features

- CW Output Power: 0.3 W, 0.5 W, 1.0 W, 2.0 W
- Variety of Emitting Area
- High-efficiency Quantum Well Structure
- TO Package or C-Mount

Applications

- Pumping
- Medical Usage
- Infrared Sources for Night Viewing
- Information Recognition

Specifications (25°C)

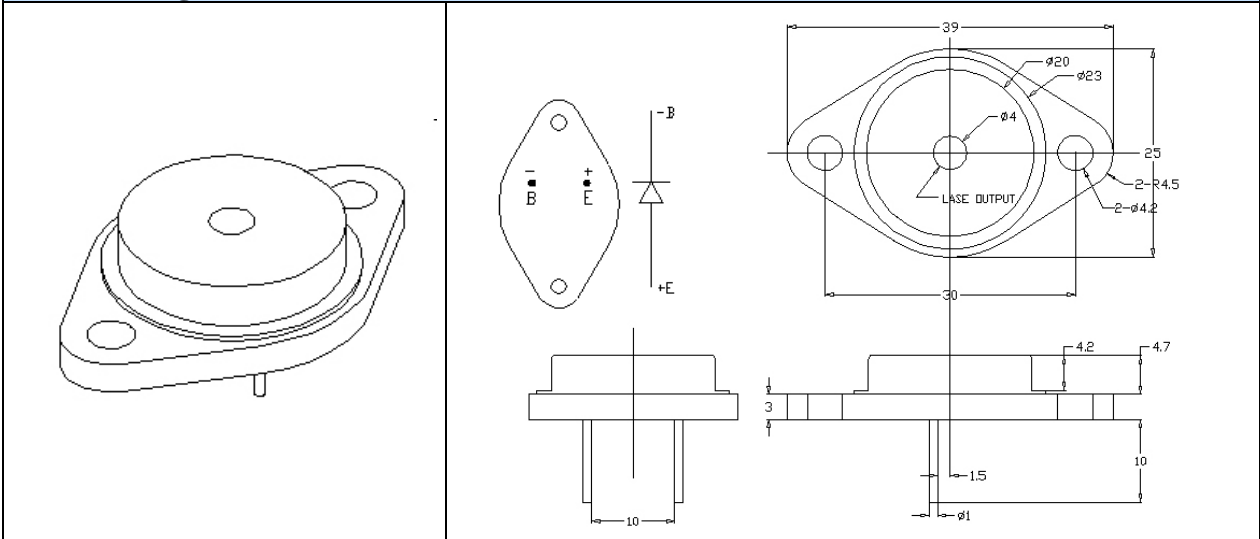
Type	LDM-0980-300m-x2	LDM-0980-500m-x2
CW Output Power (W)	0.3	0.5
Peak Wavelength Δ (nm)	975±15	975±15
Spectral Width $\Delta\lambda$ (nm)	≤2.5	≤2.5
Threshold Current (A)	≤0.15	≤0.15
Operation Current (A)	≤0.55	≤0.70
Operation Voltage (V)	≤2.0	≤2.0
Slope Efficiency (W/A)	≥0.85	≥0.85
Beam Divergence $\theta_{\perp} \times \theta_{\parallel}$ (deg)	48x10	48x10
Wavelength Temperature Coefficient (nm/°C)	0.3	0.3
Emitting Area (μm)	50x1	50x1
Series Resistance (Ω)	≤0.80	≤0.60
Polarization	TE	TE
Package Style	C-Mount / TO3	C-Mount / TO3
Reverse Voltage	2.0	2.0
Operating Temperature (°C)	10 ... 30	10 ... 30
Storage Temperature (°C)	-10 ... 60	-10 ... 60

Type	LDM-0980-001W-x3	LDM-0980-002W-x5
CW Output Power (W)	1.0	2.0
Peak Wavelength Δ (nm)	975±15	975±15
Spectral Width $\Delta\lambda$ (nm)	≤2.5	≤2.5
Threshold Current (A)	≤0.30	≤0.45
Operation Current (A)	≤1.38	≤2.56
Operation Voltage (V)	≤2.0	≤2.0
Slope Efficiency (W/A)	≥0.88	≥0.9
Beam Divergence $\theta_{\perp} \times \theta_{\parallel}$ (deg)	48x10	48x10
Wavelength Temperature Coefficient (nm/°C)	0.3	0.3
Emitting Area (μm)	100x1	200x1
Series Resistance (Ω)	≤0.50	≤0.25
Polarization	TE	TE
Package Style	C-Mount / TO3	C-Mount / TO3
Reverse Voltage	2.0	2.0
Operating Temperature (°C)	10 ... 30	10 ... 30
Storage Temperature (°C)	-10 ... 60	-10 ... 60

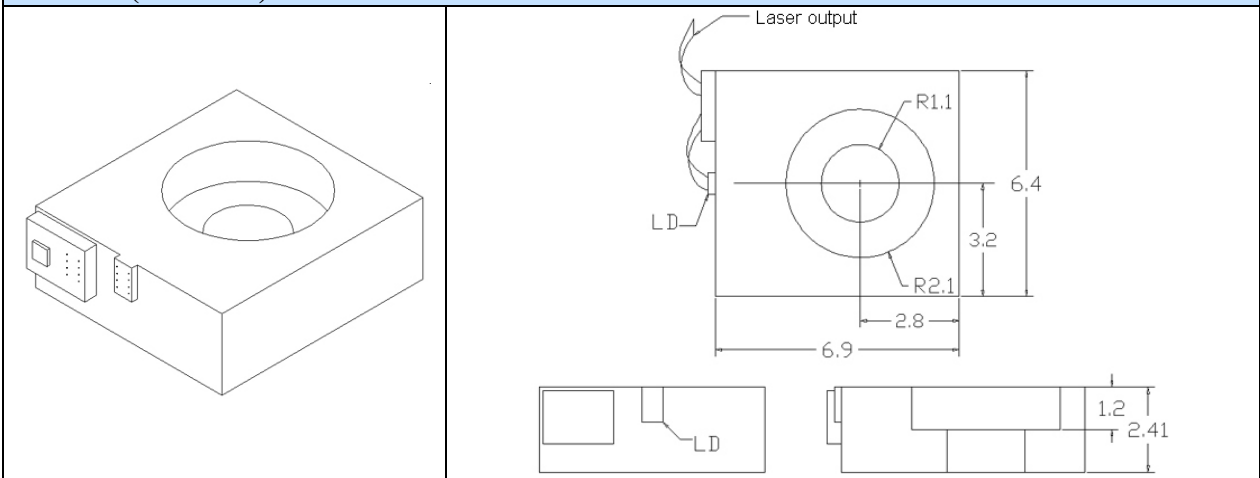


Package Dimensions

TO-3 Package (Unit:mm)

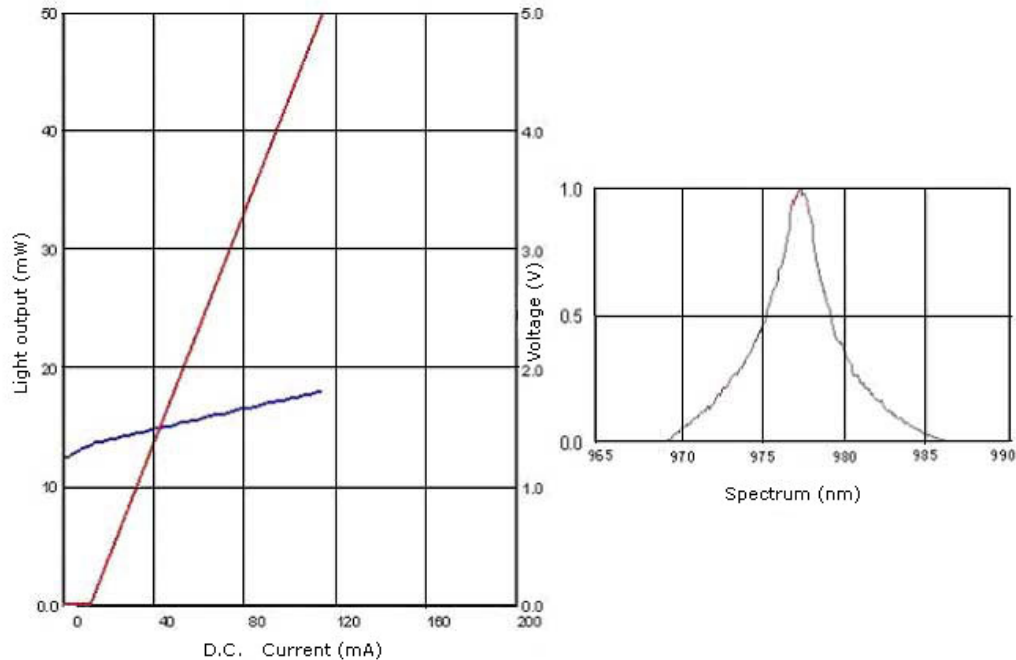


C-block (Unit:mm)





Typical Performance Curves



Notes

1. High power laser diodes are high energy laser devices. It is harmful to human body and health. Never look directly into the laser output port.
2. High power laser diodes could operate in forward voltage. The reverse current and voltage should not be higher than 25 μ A and 3 V, respectively.
3. Heavy humidity can get dew on the LD then damage the LD.
4. The generated heat must be removed in time when the LD working.
5. The high temperature will effect the performance of the products. The lifetime can also be shortened by high temperature.
6. The operating current and optical power of laser must not be higher than the given rate current and power. The excessive current would accelerate aging and shorten lifetime, even damage the LD.
7. The semiconductor laser diode is a sensitive electronic device. Please observe precaution for handling electrostatic sensitive devices.