



Infrared Laser Diode

808nm 500mW High Power Operation

• Features

1. Low operation current
2. High pumping efficiency
3. Stable wavelength
4. High reliability

• Applications

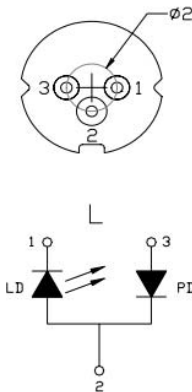
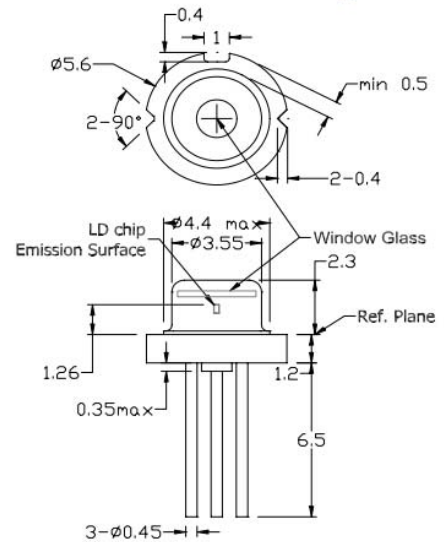
1. Pumping source for DPSS green laser
2. Medical applications

• Absolute maximum ratings

Parameter	Symbol	Condition	Rating	Unit
Light output power	P_O	CW	510	mW
Reverse voltage (LD)	V_{RL}		2	V
Reverse voltage (PD)	V_{RD}		30	V
Forward current (PD)	I_{FD}		10	mA
Case temperature	T_C	-	-10~+50	°C
Storage temperature	T_S	-	-40~+85	°C

ADL-80V03TL

6-2D-LD80-010_Rev.00



• Electrical and optical characteristics ($T_c=25^\circ\text{C}$)

Parameter	Symbol	Min.	Typ.	Max.	Unit	Conditions (CW)
Peak wavelength	λ	805	808	811	nm	
Threshold current	I_{th}	-	120		mA	$P_o=500\text{mW}$
Operating current	I_{op}	-	570		mA	
Operating voltage	V_{op}	-	1.9	2.1	V	
Differential efficiency	η	0.8	1.2	-	mW/mA	$P_o=400-500\text{mW}$
Parallel divergence angle	$\theta_{ }$	-	8	11	deg	$P_o=500\text{mW}$
Monitor current - L type	I_m	1.2	1.7	3	mA	
Perpendicular divergence angle	θ_{\perp}	-	39	48	deg	
Parallel FFP deviation angle	$\Delta\theta_{ }$	-3	0	+3	deg	
Perpendicular FFP deviation angle	$\Delta\theta_{\perp}$	-5	0	+5	deg	
Emission point accuracy	$\Delta x \Delta y \Delta z$	-80	0	+80	um	

• Precautions

- * Do not operate the device above maximum ratings. Doing so may cause unexpected and permanent damage to the device.
- * Take precautions to avoid electrostatic discharge and/or momentary power spikes. A change in the characteristics of the laser or premature failure may result.
- * Proper heat sinking of the device assures stability and lifetime. Always ensure that maximum operating temperatures are not exceeded.
- * Observing visible or invisible laser beams with the human eye directly, or indirectly, can cause permanent damage. Use a camera to observe the laser.
- * No laser device should be used in any application or situation where life or property is at risk in event of device failure.
- * Specifications are subject to change without notice. Ensure that you have the latest specification by contacting us prior to purchase or use of the product.



Infrared Laser Diode

ADL-80V03TL

6-2D-LD80-010_Rev.00

