



RLTMDL-808 1-2500 mW



Infrared Laser Diode Modul

Infrared diode laser module at 808nm is made features of ultra compact, long lifetime, low cost and easy operating, which is used in measurement, communication, spectrum analysis, etc.



Specifications	
Wavelength	808 ±3 nm
Output Power	1 – 2500 mW
Transverse Mode	Near TEM ₀₀
Operating Mode	CW
Power Stability (rms, over 4 hours)	< 1%, < 3%, < 5%
Warm-up time	< 5 min
M ² factor	< 20
Beam Divergence (full angle)	< 3.0 mrad
Beam Diameter (at the aperture)	~ 5 x 8 mm
Beam Height (from base plate)	24.8 mm
Polarization ratio	> 50:1
Pointing stability after warm up	< 0.05
Operating Temperature	10 - 35 °C
Power Supply (90-260VAC)	PSU-FDA (included)
Expected Lifetime	10000 hours
Warranty period	1 year

Options	
PSU-LED (90-260VAC)	Power supply featuring adjustable output power and current display
PSU-OEM (5VDC)	DC power supply for system integration
TTL modulation	1-30 kHz
Analog modulation	1-30kHz, 0-5V
Fiber coupling	Multi mode/single mode fiber, SMA-905/FC connector



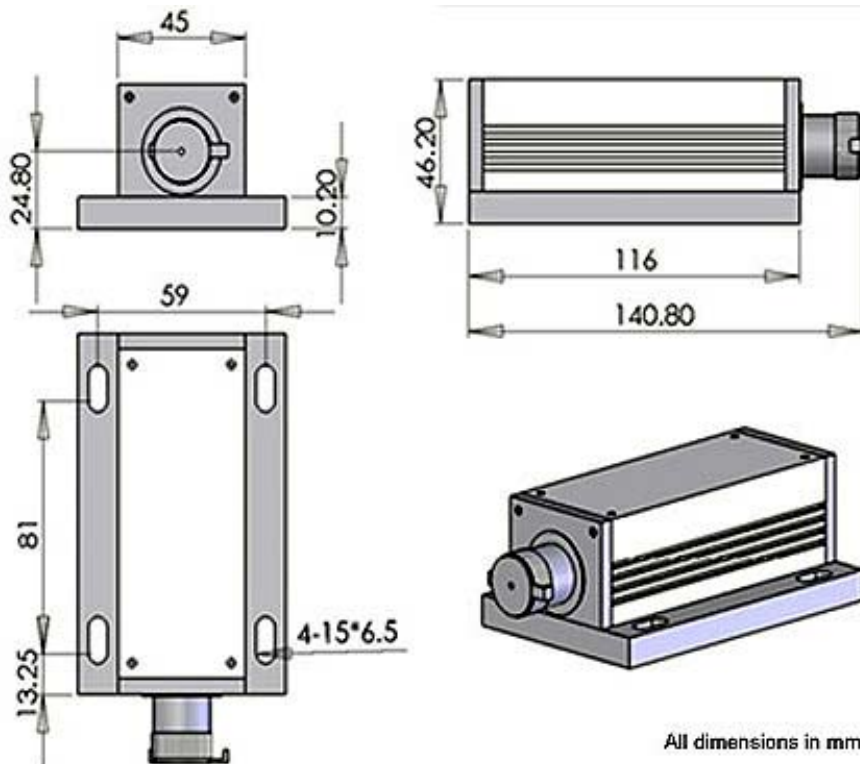
LASER RADIATION
AVOID DIRECT EXPOSURE TO BEAM
DO NOT STARE INTO BEAM
NEVER VIEW THROUGH OPTICAL INSTRUMENTS



RLTMDL laser head



141 x 73 x 46 mm³, 0.6 kg

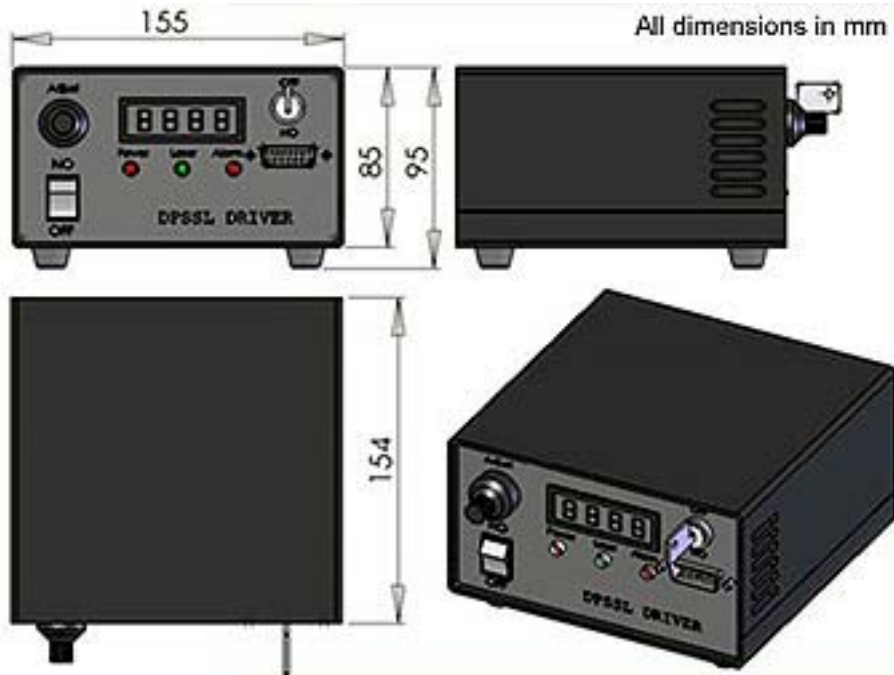




PSU-LED power supply



154 x 155 x 95 mm³, 1.5 kg

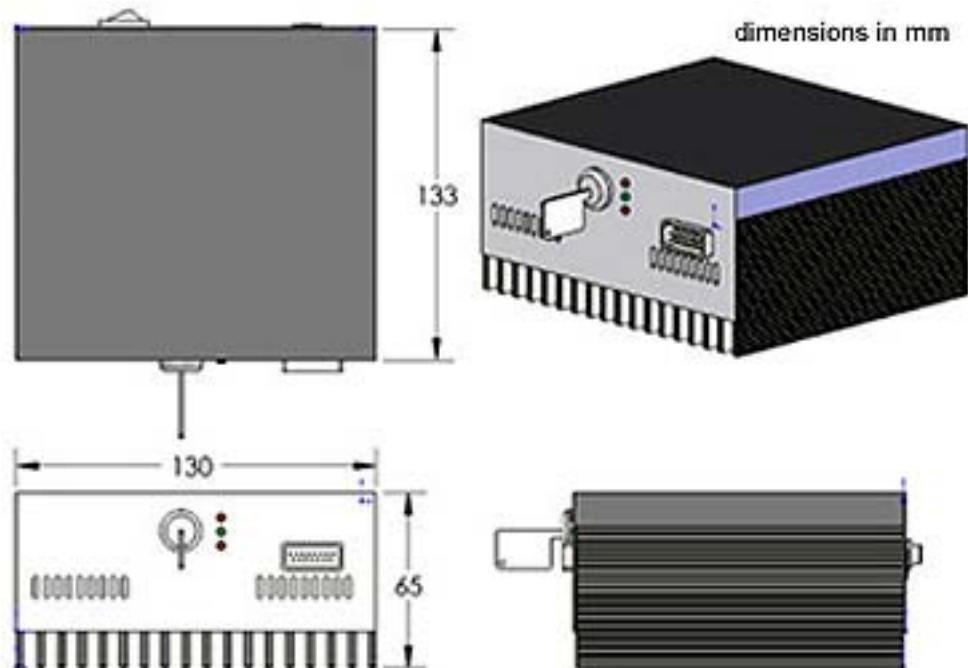




PSU-FDA power supply

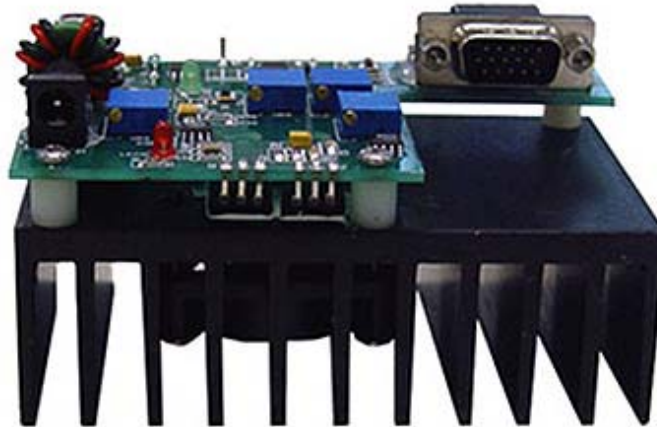


133 x 130 x 65 mm³, 1.2 kg

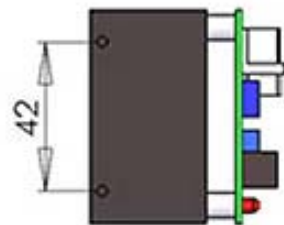
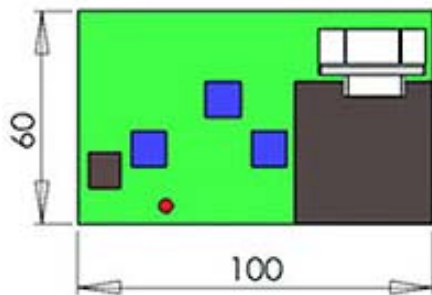
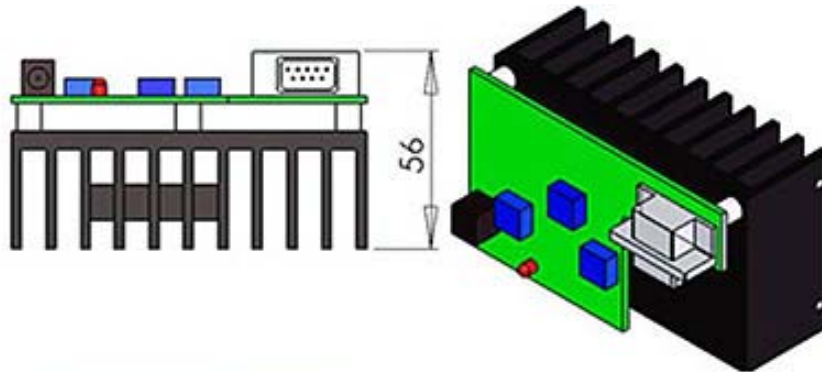




PSU-OEM power supply



100 x 60 x 56 mm³, 0.2 kg



All dimensions in mm