

QL65D6SA

InGaAIP Laser Diode

2003 Rev 0

◆ OVERVIEW

QL65D6SA is a MOCVD grown 650 nm band *InGaAIP* laser diode with quantum well structure. It's an attractive light source, with a typical light output power of 5 mW for optoelectronic devices such as Bar Code Reader.

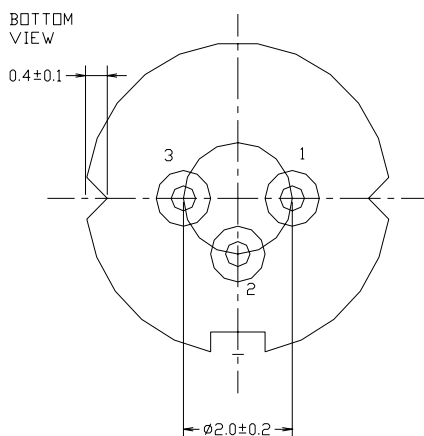
◆ APPLICATION

- Optical Leveler
- Laser Module
- Bar Code Reader

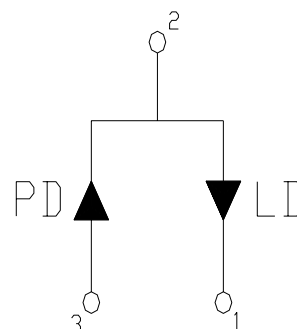
◆ FEATURES

- Visible Light Output: $\lambda_p = 650 \text{ nm}$
- Optical Power Output: 5 mW CW
- Package Type: TO-18 (5.6 mm ϕ)
- Built-in Photo Diode for Monitoring Laser Diode

◆ ELECTRICAL CONNECTION



Bottom View



Pin Configuration

◆ ABSOLUTE MAXIMUM RATING at Tc=25°C

Items	Symbols	Values	Unit
Optical Output Power	P	5	mW
Laser Diode Reverse Voltage	V	2	V
Photo Diode Reverse Voltage	V	30	V
Operating Temperature	Topr	-10 ~ +60	°C
Storage Temperature	Tstg	-40 ~ +85	°C

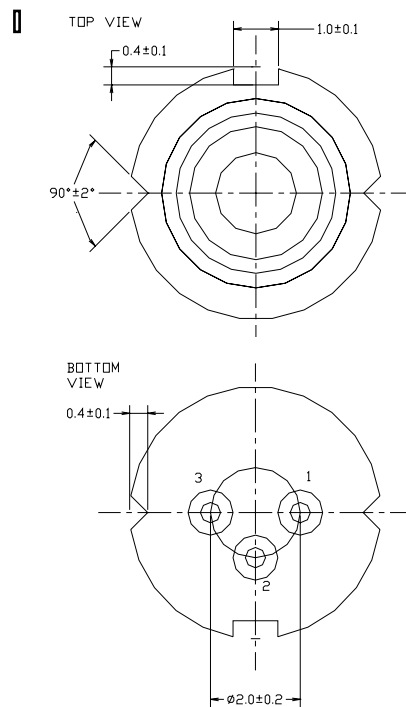
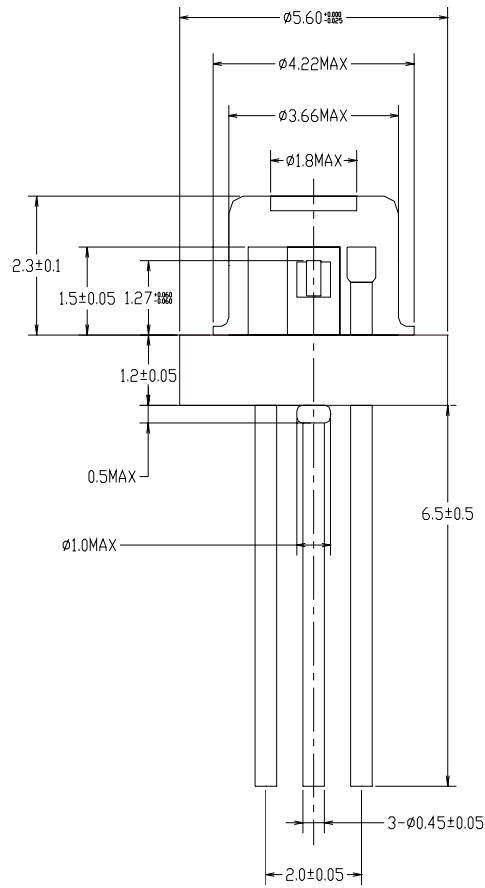
◆ ELECTRICAL and OPTICAL CHARACTERISTICS at Tc=25°C

Items	Symbols	Min.	Typ.	Max.	Unit	Condition
Optical Output Power	Po	-	5	-	mW	-
Threshold Current	Ith	-	30	45	mA	-
Operating Current	Iop	-	40	55	mA	Po = 5 mW
Slope Efficiency	SE	0.4	0.5	0.8	mW/mA	3~5 mW
Operating Voltage	Vop	-	2.2	2.6	V	Po = 5 mW
Lasing Wavelength	λ_p	650	655	660	nm	Po = 5 mW
Beam Divergence	$\theta_{ }$	7	8.5	10	deg	Po = 5 mW
	θ_{\perp}	26	28	32	deg	Po = 5 mW
Beam Angle	$\Delta\theta_{ }$	-	-	± 1.5	deg	Po = 5 mW
	$\Delta\theta_{\perp}$	-	-	± 2.5	deg	Po = 5 mW
Monitor Current	Im	0.1	0.2	0.5	mA	Po = 5 mW
KINK	K-LI			10	%	
Astigmatism	As			10	μm	
Optical Distance	$\Delta X, \Delta Y, \Delta Z$	-	-	± 60	μm	
PD DARK CURRENT	Id		5	10	nA	V _R =10 V
PD Capacitance	Ct		-5	-10	pF	V _{rd} =0.5 V f=1 MHZ

NOTICE : QL65D6SA to be operated on APC circuit.

The above product specifications are subject to change without notice.

◆ PACKAGE DIMENSION



ROITHNER LASERTECHNIK, A-1040 Vienna, Austria, Schoenbrunner Strasse 7
 Tel.: +43-1-586 52 43 - 0, Fax.: +43-1-586 52 43 44
 e-mail: office@roithner-laser.com, http://www.roithner-laser.com