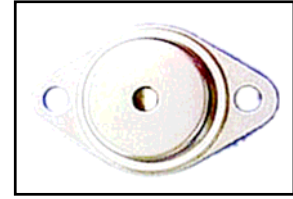




RLT65300T

TECHNICAL DATA



High Power Visible Laser Diode

Lasing wavelength: **typ. 650 nm**
Max. optical power: **500 mW cw**
Emitting Aperture: **1x100 μm^2**
Package: **TO-3 w/o Photodiode**

NOTE!
LASERDIODE
MUST BE COOLED!

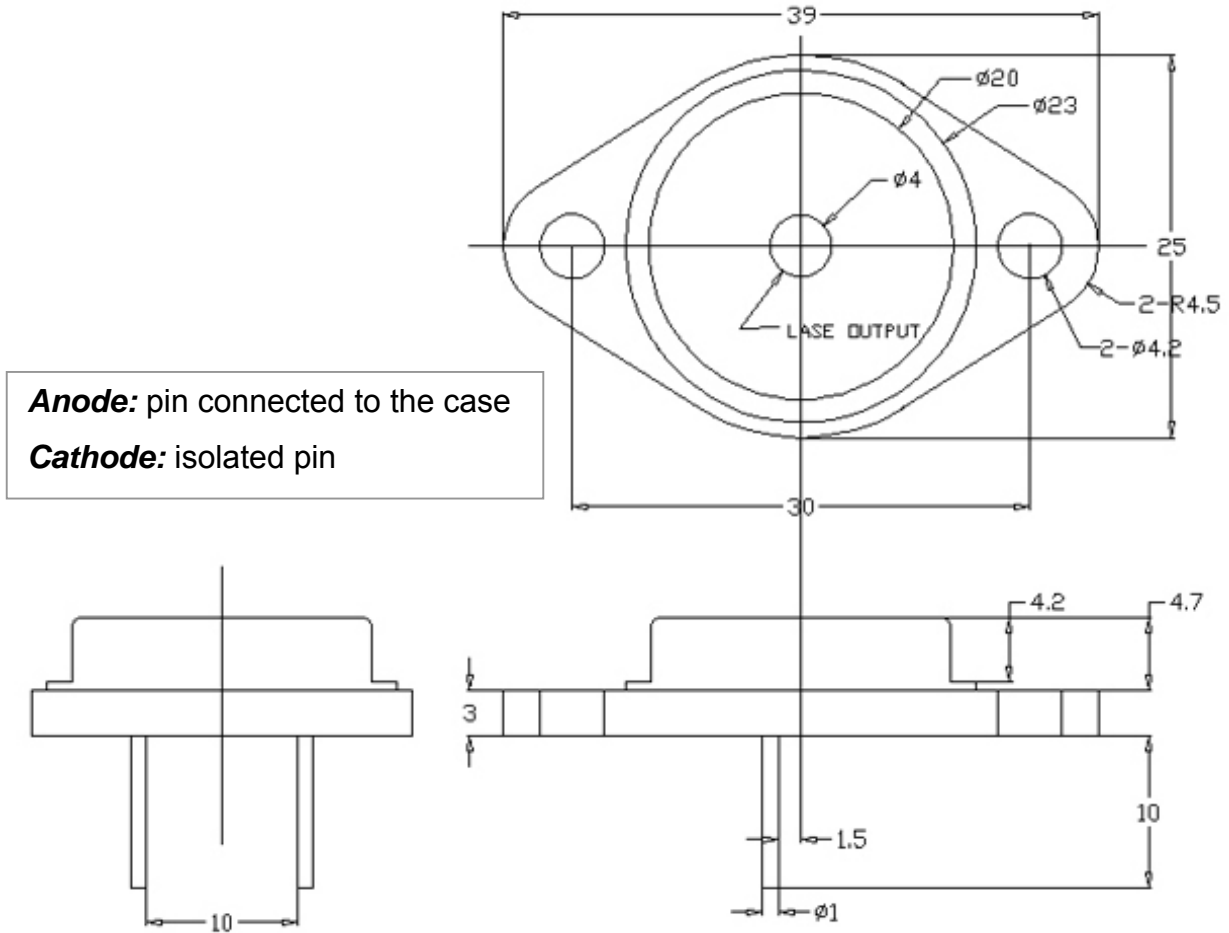


Specification (Tc = 25°C)

CHARACTERISTIC	MIN	UNIT
Optical Output Power	300	mW
Threshold Current	<600	mA
Operation Current	<1000	mA
Operation Voltage	<2.3	V
Slope Efficiency	≥ 0.7	mW/mA
Central Wavelength	650 ± 10	nm
Spectral Width	<2.5	Nm
Wavelength Temperature Coefficient	0.25	nm/°C
Beam Divergence	10	deg
Beam Divergence	35	deg
Operating Temperature	10 - 25	°C
Storage Temperature	-10 - 60	°C
Polarization	TM	



PACKAGE DIMENSIONS:





ROITHNER LASERTECHNIK GmbH

WIEDNER HAUPTSTRASSE 76

1040 VIENNA

AUSTRIA

TEL. +43 1 586 52 43 -0, FAX. -44, OFFICE@ROITHNER-LASER.COM



Operating notes:

1. Be sure that the operating current is not exceed the specified operating current, or else which will accelerate aging, shorten lifetime or even damage devices.
2. Increase the current gradually to the specified operating value. For shutting down the laser diode, please decrease the current to zero gradually, and then turn off the power. Pleaser sure that the power supply have no current overshoot at any time. The current overshoot can damage the laser diodes.
3. The high power laser diode is sensitive to the work temperature. The work temperature should be no more than 30°C. It is better if the temperature of the heat sink can be keep at 20°C.
4. Be careful to keep the facet cleaning. Contamination of facet will result in rapid degradation of devices.
5. The high power laser diode is very sensitive to static. Please caution about static during operating with the laser diode.
6. Caution! Don't look at the laser light directly, because it's harmful to eyes.
7. A clean, dry and ventilated environment should be available when storing and operation. Dew can damage the laser diodes.
8. The storage temperature is between -10 and 70 °C.