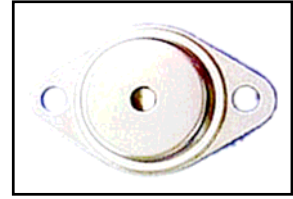




## RLT635-300-TO3 TECHNICAL DATA



### High Power Visible Laser Diode

Lasing wavelength: **typ. 635 nm**  
Max. optical power: **300 mW cw**  
Emitting Aperture: **1x100 µm<sup>2</sup>**  
Package: **TO-3 w/o Photodiode**

**NOTE!**  
**LASERDIODE**  
**MUST BE COOLED!**

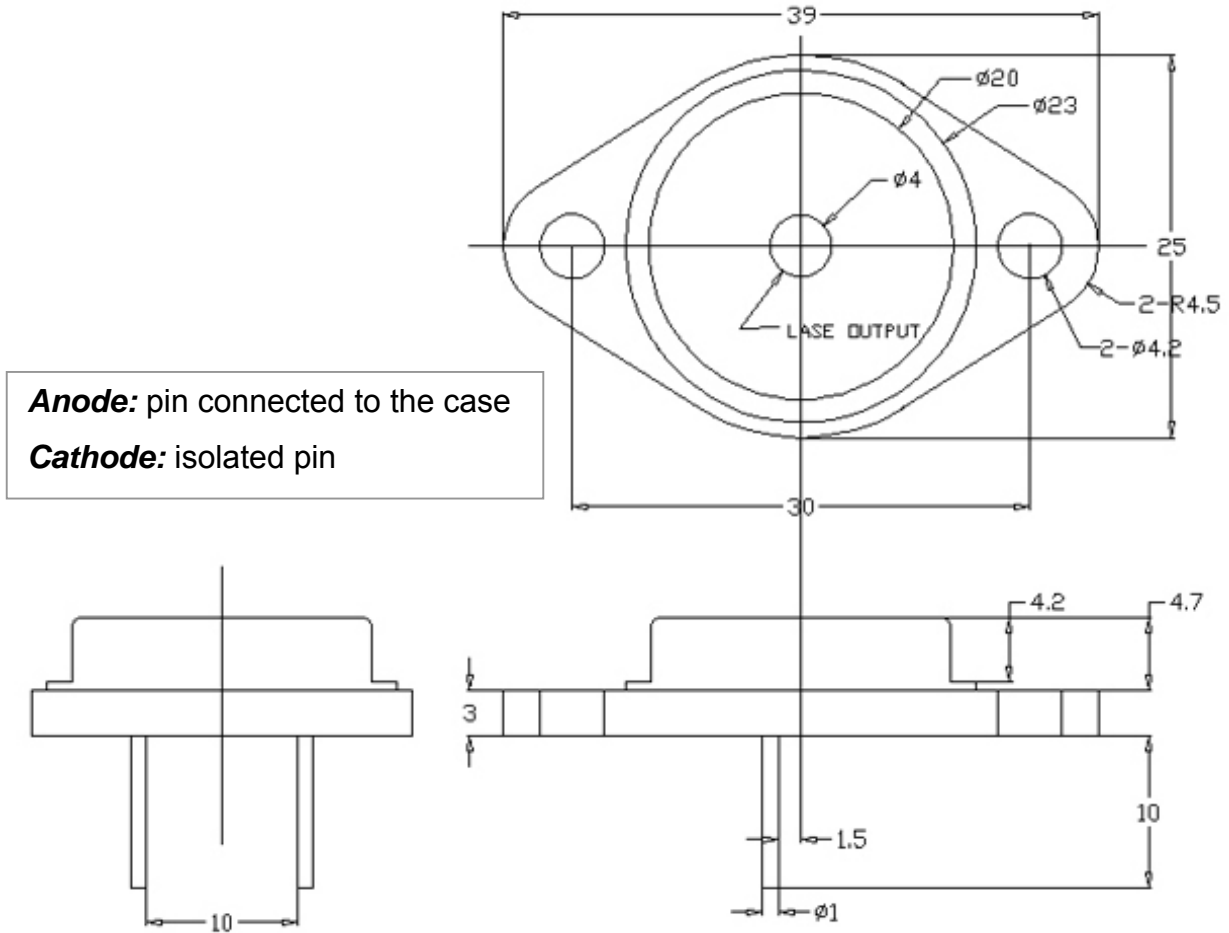


### Specification (Tc = 25°C)

CHARACTERISTIC	MIN	UNIT
Optical Output Power	300	mW
Threshold Current	<550	mA
Operation Current	<950	mA
Operation Voltage	<2.5	V
Slope Efficiency	≥0.8	mW/mA
Central Wavelength	635 ±10	nm
Spectral Width	<2.5	Nm
Wavelength Temperature Coefficient	0.2	nm/°C
Beam Divergence	10	deg
Beam Divergence	42	deg
Operating Temperature	10 - 25	°C
Storage Temperature	-10 – 60	°C
Polarization	TM	



## PACKAGE DIMENSIONS:





**ROITHNER LASERTECHNIK GmbH**

WIEDNER HAUPTSTRASSE 76

1040 VIENNA

AUSTRIA

TEL. +43 1 586 52 43 -0, FAX. -44, OFFICE@ROITHNER-LASER.COM



## Operating notes:

1. Be sure that the operating current is not exceed the specified operating current, or else which will accelerate aging, shorten lifetime or even damage devices.
2. Increase the current gradually to the specified operating value. For shutting down the laser diode, please decrease the current to zero gradually, and then turn off the power. Pleaser sure that the power supply have no current overshoot at any time. The current overshoot can damage the laser diodes.
3. The high power laser diode is sensitive to the work temperature. The work temperature should be no more than 30°C. It is better if the temperature of the heat sink can be keep at 20°C.
4. Be careful to keep the facet cleaning. Contamination of facet will result in rapid degradation of devices.
5. The high power laser diode is very sensitive to static. Please caution about static during operating with the laser diode.
6. Caution! Don't look at the laser light directly, because it's harmful to eyes.
7. A clean, dry and ventilated environment should be available when storing and operation. Dew can damage the laser diodes.
8. The storage temperature is between -10 and 70 °C.